



Model: T7B-110.1  
T7B-220.1

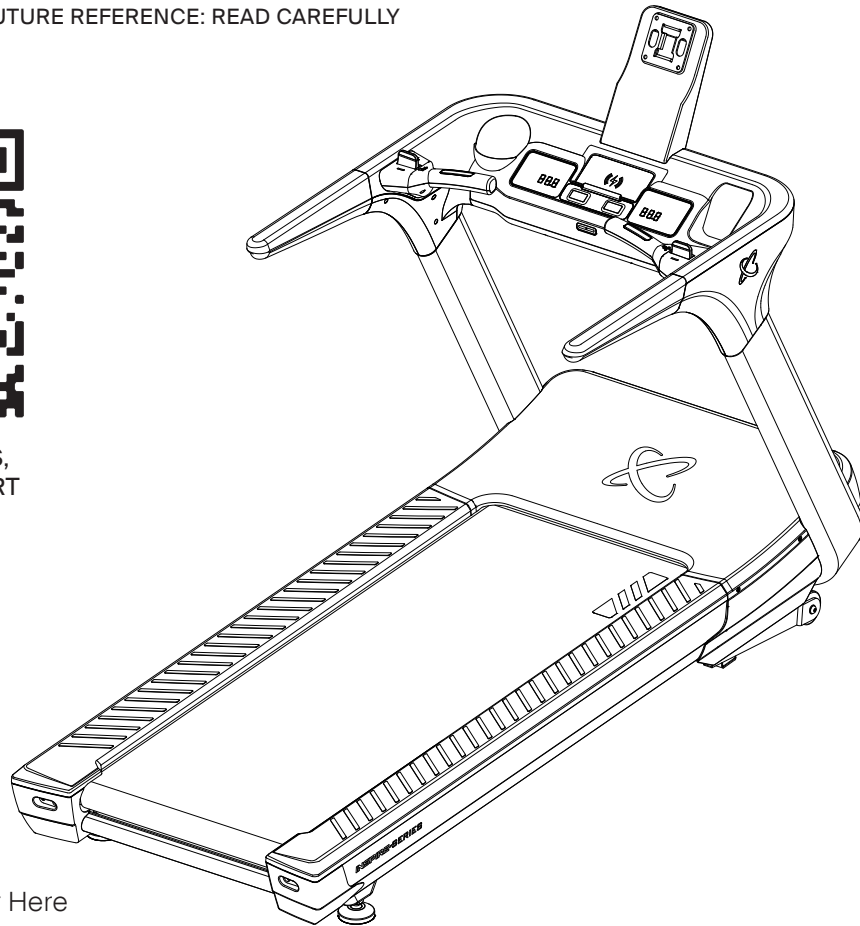
## USER MANUAL

# CENTR INSPIRE SERIES T7 & T7S

IMPORTANT, RETAIN FOR FUTURE REFERENCE: READ CAREFULLY



SCAN FOR MANUALS,  
VIDEOS, AND SUPPORT



Record Serial Number Here

MADE IN CHINA  
80305-EN-V2025-11-14



## WELCOME

Welcome to Centr and thanks for your purchase. We're happy to have you. Please inspect your product and contact us right away if anything is missing or damaged.

Your equipment also comes with access to Centr's digital membership, unlocking tools that will fuel your active lifestyle and well-being. The Centr wellness system aligns your movement, meals and mind with expert-led programs and advice made to work together to deliver you the best results and lifelong healthy habits. Get moving with limitless ways to fuel your routine and reach your goals!

## NEED HELP? WE'RE HERE FOR YOU.

### US CUSTOMERS

If you have questions or issues with your equipment, please contact our US Customer Service team. Support is provided in English and Spanish.



#### EMAIL

support@centr.com



#### PHONE

877-738-1729 (US Only)

+1 714-738-1729 (Global)

Mon-Fri 8am-5pm PT - UTC-7h/8

*\*Support is provided in English and Spanish\**



#### GLOBAL CUSTOMERS

#### (OUTSIDE OF US)

If you have any questions or issues with your equipment, please contact the store where your purchase was made.

---

## PRODUCT WARRANTY

Scan the QR code to register your product and view full warranty details.



---

### AUSTRALIA

Our goods come with guarantees that cannot be excluded under the Australian Consumer Law. You are entitled to a replacement or refund for a major failure and for compensation for any other reasonably foreseeable loss or damage. You are also entitled to have the goods repaired or replaced if the goods fail to be of acceptable quality and the failure does not amount to a major failure.

Our goods and services come with guarantees that cannot be excluded under the Australian Consumer Law. For major failures with the service, you are entitled:

- to cancel your service contract with us;
- to a refund for the unused portion, or to compensation for its reduced value.

You are also entitled to choose a refund or replacement for major failures with goods. If a failure with the goods or a service does not amount to a major failure, you are entitled to have the failure rectified in a reasonable time. If this is not done you are entitled to a refund for the goods and to cancel the contract for the service and obtain a refund of any unused portion. You are also entitled to be compensated for any other reasonably foreseeable loss or damage from a failure in the goods or service.

---



## TABLE OF CONTENTS

PRODUCT WARRANTY.....	3
IMPORTANT SAFETY INSTRUCTIONS.....	6
WARNING AND SERIAL NUMBER LABELS.....	8
USE OF SAFETY KEY.....	10
GROUNDING INSTRUCTIONS (FOR 110V MACHINES).....	11
GROUNDING INSTRUCTIONS (FOR 220V MACHINES).....	12
NOTICES.....	13
HARDWARE PACK.....	17
ASSEMBLY.....	18
FEATURES OVERVIEW.....	24
MOVING INSTRUCTIONS.....	27
MAINTENANCE AND CARE.....	29
ADJUSTING THE RUNNING BELT.....	30
LUBRICATING THE RUNNING BELT.....	31
TROUBLESHOOTING.....	32

## IMPORTANT SAFETY INSTRUCTIONS

 This icon is to alert of a potential hazard. Obey all safety messages that follow this icon to avoid possible harm.

When using this electrical appliance, basic precautions should always be followed, including the following:

### **SAVE THESE INSTRUCTIONS**

This treadmill is built for optimum safety. However, certain precautions apply whenever you operate a piece of exercise equipment. Be sure to read the entire manual before you assemble or operate your machine. Please note the following safety precautions:

#### **WARNING**

Before using this treadmill, all users must read, understand, and carefully follow all warnings, instructions, and procedures on the treadmill and in this User Manual.

#### **DANGER**

To reduce the risk of electric shock and the injury from moving parts, always unplug this treadmill from the electrical outlet immediately after using and before cleaning or attempting any maintenance activity.

#### **WARNING**

To reduce the risk of burns, fire, electric shock, or injury to persons:

1. Consult your physician before beginning any exercise program.
2. The treadmill should never be left unattended when plugged in. Unplug from outlet when not in use, and before service or maintenance.
3. DO NOT operate the treadmill while being covered with a blanket, plastic or anything that insulates or stops airflow. Excessive heating can occur and cause fire, electric shock, or injury to persons.
4. Always keep children under the age of 14 and pets away from the treadmill. DO NOT leave children unattended in the same room with the treadmill. Children should be supervised to ensure that they do not play with the appliance.
5. Only one person at a time should use the treadmill.
6. Use the treadmill only for its intended use as described in this manual. DO NOT use attachments not recommended by Centr.
7. Never operate the treadmill if it has a damaged power cord or electrical plug, if it is not working properly, if it has been dropped or damaged, or partially immersed in water. Contact Centr customer service.
8. Keep the power cord away from heated surfaces. Do not pull the treadmill by the power cord or use the cord as a handle. Do not run the power cord under or along the side of the treadmill.
9. Never operate the treadmill with the air openings blocked. Keep air openings free of lint, hair or any obstructing material.
10. Never insert objects into any openings in this treadmill. If an object should drop inside, turn off the power, unplug the power cord from the outlet and carefully retrieve it. If the item cannot be reached, contact Centr customer service.
11. Do not use this treadmill outdoors, near water, while wet, or in areas of high humidity.
12. Do not use this treadmill in areas where aerosol spray products are being used or where oxygen is being administered. Such substances create the danger of combustion and explosion.

## IMPORTANT SAFETY INSTRUCTIONS

13. To disconnect, turn power OFF at the ON/OFF switch, then remove plug from electrical outlet.
14. Connect this treadmill to a properly grounded outlet only. See Grounding Instructions, page 11.
15. If the user experiences dizziness, nausea, chest pain, or any other abnormal symptoms, STOP the workout at once. CONSULT A PHYSICIAN IMMEDIATELY.
16. This treadmill is intended for consumer home use only. Do not exceed maximum user weight of 300 lbs (136 kg).
17. Inspect the treadmill for incorrect, worn, or loose components and then correct, replace, or tighten prior to use.
18. Always wear appropriate workout clothing when exercising. DO NOT wear robes or other loose clothing that could become caught in the treadmill. Running or training shoes are also required when using the treadmill.
19. CAUTION: Risk of Injury to Persons – To Avoid Injury, use extreme caution when stepping onto or off of a moving belt.
20. Read, understand, and test the emergency stop procedures before use.
21. Keep hands away from all moving parts.
22. Keep the top side of the moving surface clean and dry.
23. Disabled persons should not use the machine without a qualified person or physician in attendance.
24. This appliance is not intended for use by persons with reduced physical, sensory or mental capabilities, or lack of experience and knowledge, unless they have been given supervision or instruction concerning use of the appliance by a person responsible for their safety. Keep children under the age of 14 away from this machine.
25. Before using the machine to exercise, always do stretching exercises to properly warm up.
26. Position the treadmill on a solid level surface, and do not block any openings or vents in the floor.
27. DO NOT place any sharp objects around the machine.
28. Remove the Safety Key from the treadmill when not in use, and safely store out of reach of children.
29. Cleaning and user maintenance shall not be made by children without supervision.

### WARNING

**BEFORE BEGINNING ANY EXERCISE PROGRAM, CONSULT YOUR PHYSICIAN. THIS IS ESPECIALLY IMPORTANT FOR INDIVIDUALS OVER THE AGE OF 35 OR PERSONS WITH PRE-EXISTING HEALTH PROBLEMS. READ ALL INSTRUCTIONS BEFORE USING ANY FITNESS EQUIPMENT. Centr, LLC. DOES NOT ASSUME ANY RESPONSIBILITY FOR PERSONAL INJURY OR PROPERTY DAMAGE SUSTAINED BY OR THROUGH THE USE OF THIS PRODUCT.**

# WARNING AND SERIAL NUMBER LABELS

## ⚠ WARNING / AVERTISSEMENT / ADVERTENCIA / WARNUNG

HEART RATE MONITOR MAY BE INACCURATE. STOP IMMEDIATELY IF YOU FEEL FAINT.  
 LE MONITEUR DE FRÉQUENCE CARDIAQUE PEUT ÊTRE IMPRÉCIS. EN CAS DE MALAISE, ARRÊTER IMMÉDIATEMENT.  
 SE PUEDE QUE LOS DATOS DEL MONITOR DE FRECUENCIA CARDÍACA SEAN INCORRECTOS. DE SENTIRSE MAREADO, DETÉNGASE DE INMEDIATO.  
 DAS HERZFREQUENZ-ÜBERWACHUNGSSYSTEM KANN UNGENAU SEIN. BEI SCHWINDEL- ODER SCHWÄCHEGEFÜHL DAS TRAINING SOFORT  
 ABBRECHEN.

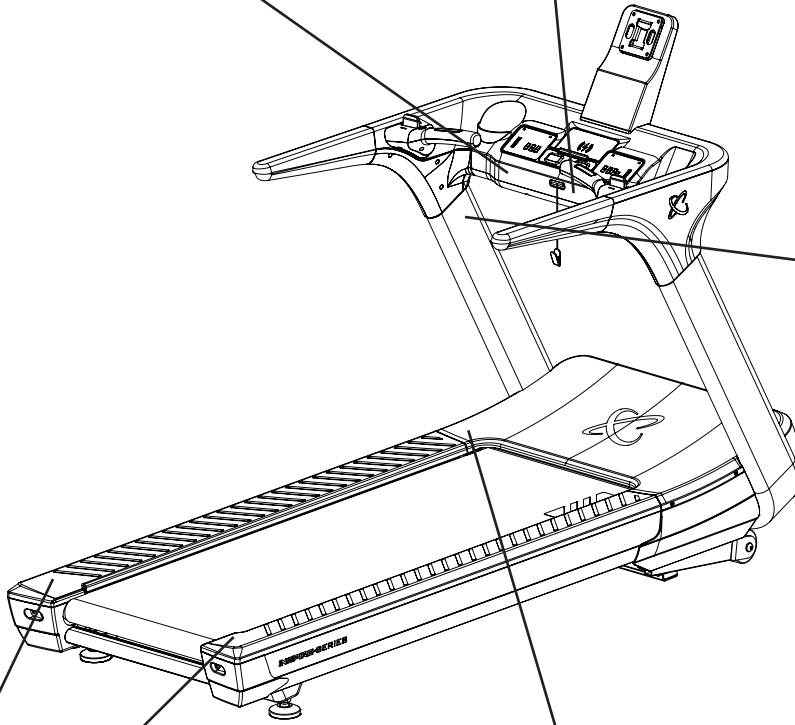
80427-V2024-12-03

## ⚠ WARNING / AVERTISSEMENT / ADVERTENCIA / WARNUNG

ATTACH THE SAFETY CLIP TO YOUR CLOTHING DURING USE.  
 ATTACHER LA PINCE DE SURETÉ À SES VÊTEMENTS PENDANT L'UTILISATION.  
 FIJE EL CLIP DEL INTERRUPTOR A SU PRENDA DURANTE EL USO.  
 BEFESTIGEN SIE DEN SICHERHEITSClip AN IHRER KLEIDUNG BEVOR SIE MIT DEM  
 TRAINING BEGINNEN.

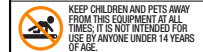
MAXIMUM USER WEIGHT  
 POIDS UTILISATEUR MAXIMAL **159 kg /**  
 PESO MÁXIMO DE USUARIO **350 lb**  
 MAXIMALES BENUTZERGEWICHT

80311-V2024-12-03



## ⚠ WARNING / AVERTISSEMENT / ADVERTENCIA / WARNUNG

THE POSSIBILITY OF SERIOUS INJURIES OR DEATH MAY OCCUR IF CAUTION IS NOT USED. ENSURE SAFETY BY FOLLOWING THESE GUIDELINES:  
 LA PRUDENCE EST DE MISE, SANS QUI DES BLESSURES GRAVES OU DE DÉCÈS PEUVENT SURVENIR. POUR ASSURER LA SÉCURITÉ : SI NO TIENE CUIDADO, EXISTE LA POSIBILIDAD DE QUE SUERAN LESIONES GRAVES O LA MUERTE. PASE SU SEGURIDAD, SIGA LAS INSTRUCCIONES:  
 BITTE SICHERN SIE DEN PACKQUIRT, BEVOR SIE DAS NICHT MONTEERTE LAUFBAND BEWEGEN. DAS LAUFBAND NICHT ANHEBEN, OHNE DAS LAUFRECK UND DEN UMSCHWINGEN MIT DEM PACKQUIRT ZU SICHERN. NICHTBEACHTUNG KANN ZU VERLETZUNGEN FÜHREN.  
 CONSULT A PHYSICIAN BEFORE USING ANY EXERCISE EQUIPMENT.  
 CONSULTER UN MÉDECIN AVANT D'UTILISER UN APPAREIL D'EXERCICE.  
 CONSULTA CON UN MÉDICO ANTES DE USAR CUALQUIER EQUIPO DE EJERCICIO.  
 SPRECHEN SIE MIT EINER ARZT, BEVOR SIE TRAININGSGERÄTE BENÜTZEN.  
 PRIOR TO USE, READ AND UNDERSTAND THE OWNER'S MANUAL, INCLUDING ALL WARNINGS. AVANT D'UTILISER L'APPAREIL, LIRE ET COMPRENDRE LE MODE D'EMPLOI, Y COMPRIS TOUS LES AVERTISSEMENTS.  
 LEEA ATENTAMENTE EL MANUAL DEL PROPIETARIO, INCLUIDO LAS ADVERTENCIAS, ANTES DEL USO. VOR DER ERSTEN ANWENDUNG LESEN SIE DIE SICHERHEITSHINWEISE UND DIE BEDIENUNGSANLEITUNG SORGFÄLTIG DURCH.



KEEP CHILDREN AND PETS AWAY FROM THIS EQUIPMENT AT ALL TIMES. IT IS NOT INTENDED FOR USE BY ANYONE UNDER 14 YEARS OF AGE.  
 TENIR LES ENFANTS ET LES ANIMAUX À L'ÉCART DE L'APPAREIL EN TOUT TEMPS; CE DÉRIVER N'EST PAS DESTINÉ À DES PERSONNES DE MOINS DE 14 ANS.  
 SIEMPRE MANTENGA ALEJADOS A LOS NIÑOS Y LAS MASCOTAS EL EQUIPO NO DEBE SER USADO POR PERSONAS MENORES DE 14 AÑOS.  
 NICHT ZULASSEN, DASS KINDER ODER HAUSTIERE DAS GERÄT UNGENAUER NÄHE ZU SICHEN. ES IST NICHT FÜR PERSONEN UNTER 14 JAHREN BESTIMMT.

DISCONNECT THE EMERGENCY KEY AND STORE THE POWER CORD SEPARATELY WHEN NOT IN USE. DÉBRANCHEZ LA CLÉ DE SECOURS ET RANGÉZ LE CORDON D'ALIMENTATION SÉPARÉMENT LORSQU'IL N'EST PAS UTILISÉ.  
 DESCONECTE LA LLAVE DE EMERGENCIA Y GUARDE EL CABLE DE ALIMENTACIÓN POR SEPARADO CUANDO NO ESTE EN USO.  
 ZIEHEN SIE DEN NOTSCHLÜSSEL AB UND BEWAHREN SIE DAS NETZKABEL BEI NICHTGEBRAUCH SEPARAT AUF.

STAND ONLY ON SIDE RAILS WHEN STARTING OR STOPPING.  
 SE TENIR SUR LES RAILS LATÉRAUX SEULEMENT AU DEMARRAGE OU À L'ARRÊT.  
 SIEMPRE PONGA LOS PIES EN LOS CARRILES LATERALES ANTES DE ENCENDER O PARAR LA CINTA DE CORRER.  
 BEIM STARTEN UND STOPPEN BITTE NUR AUF DEN BEIDEN SEITLICHEN TRITTFÄCHEN STEHEN.

REPLACE ANY "CAUTION," "WARNING," OR "DANGER" LABEL THAT IS ILLEGIBLE, DAMAGED, OR MISSING.  
 REMPLACER TOUTE ÉTIQUETTE "ATTENTION," "AVERTISSEMENT" OU "DANGER" LISIBLE, ENDOMMAGÉE OU MANQUANTE.  
 REEMPLACE CUALQUIER ÉTIQUETTE DE "ADVERTENCIA," "ATENCIÓN," "PREVENCIÓN" O "DANGERO" QUE ESTE DAÑADA, FALTANDO O QUE SEA ILLEGIBLE.  
 BITTE ERSETZEN SIE ALLE UNLESERLICHEN, BESCHÄDIGTEN ODER FEHLENDEN WARNUNGS- UND "GEFÄHR" -

HOLD HANDRAILS TO PREVENT FALLS AND ALWAYS WEAR THE SAFETY CLIP.  
 TENIR LES MAINS COURANTES POUR ÉVITER LES CHUTES ET PORTER LA PINCE DE SURETÉ EN TOUT TEMPS.  
 AGARRAR EL PASAMANOS PARA EVITAR UNA CAÍDA Y SIEMPRE SILETE EL CLIP DEL INTERRUPTOR DE SEGURIDAD EN SU ROPA.  
 HALTEN SIE DAS GELÄNDER FEST, UM STÜRZE ZU VERMEIDEN UND TRAGEN SIE IMMER DEN SICHERHEITSClip.

STOP IF FEELING FAINT, DIZZY, OR SHORT OF BREATH.  
 S'ARRÊTER EN CAS DE FAIBLESSE D'ÉTOURDISSEMENT OU D'ESSOUFFLEMENT.  
 DEJE DE CORRER SI SIENTE DESMAYO, MAREO O FALTA DE AIRE.  
 BEI SCHWINDEL, SCHWÄCHE ODER KURZATMIGKEIT DAS TRAINING SOFORT ABBRECHEN.

AVOID OVEREXERTION TO PREVENT INJURY OR DEATH.  
 POUR PRÉVENIR LES BLESSURES OU LA MORT, ÉVITER LES EFFORTS EXCESSIFS.  
 PARA EVITAR LESIONES Y HASTA LA MUERTE, NO HAGAN UN ESFUERZO EXCESIVO.  
 ÜBERMÄßIGE ANSTRENGUNG KANN ZU SCHWEREN VERLETZUNGEN ODER Sogar ZUM TOD FÜHREN.  
 FOR CONSUMER USE ONLY.  
 RÉSERVÉ AU CONSOMMATEUR UNIQUEMENT.  
 PARA USO DEL CONSUMIDOR ÚNICAMENTE. NUR FÜR DEN PRIVATGEBRAUCH.

80341-V2024-12-03

## ⚠ WARNING / AVERTISSEMENT / ADVERTENCIA / WARNUNG

RISK OF PERSONAL INJURY. CHILDREN UNDER 14 SHOULD NOT USE THIS MACHINE.  
 RISQUE DE BLESSURE. LES ENFANTS DE MOINS DE 14 ANS NE DEVRAIENT PAS UTILISER L'APPAREIL.  
 RIESGO DE LESIONES PERSONALES. LOS NIÑOS NO DEBEN USAR LA MÁQUINA.  
 VERLETZUNGSGEFAHR. KINDER UNTER 14 JAHREN DÜRFEN DIESES GERÄT NICHT BENÜTZEN.

80358-V2024-11-27

KEEP HANDS AWAY FROM THE REAR END CAP AND ROLLER. / TENIR LES MAINS ÉLOIGNÉES DE L'EMBOÛT ARRIÈRE ET DU ROULEAU. / MANTENGA LAS MANOS LEJOS DE LA PARTE TRASERA Y LA CINTA. / BITTE HALTEN SIE DIE HÄNDE VON DEN ENDKAPPEN UND DEN LAUFROLLEN FERN.

DO NOT STAND ON REAR END CAPS. ALWAYS WEAR SHOES WHILE USING THE TREADMILL. / NE PAS MONTER SUR LES EMBOUTS ARRIÈRE. TOUJOURS PORTER DES CHAUSSURES LORS DE L'UTILISATION DU TAPIS ROULANT. / NO SE PARE SOBRE LOS EXTREMOS, SIEMPRE USE ZAPATOS AL CORRER SOBRE LA CINTA. / DIE ENDKAPPEN NICHT BETRETEN. BEI BENÜTZUNG DES LAUFBANDS SIND IMMER SCHUHE ZU TRAGEN.

80354-V2024-12-09

TO ADJUST RUNNING BELT USE ALLEN WRENCH. / POUR AJUSTER LA BANDE DE COURSE, UTILISER UNE CLÉ HEXAGONALE. / USE LA LLAVE HEXAGONAL PARA AJUSTAR LA CINTA DE CORRER. / FÜR DAS EINSTELLEN DES LAUFGURTES DEN INBUSSCHLÜSSEL VERWENDEN.

LOOSEN / DESSERRER / AFLOJAR / LOCKERN TIGHTEN / SERRER / APRETAR / SPANNEN

80357-V2024-11-27

## ⚠ WARNING / AVERTISSEMENT / ADVERTENCIA / WARNUNG


KEEP YOUNG CHILDREN AWAY FROM THIS MACHINE AT ALL TIMES. CONTACT WITH THE MOVING SURFACE MAY RESULT IN SEVERE FRICTION BURNS.

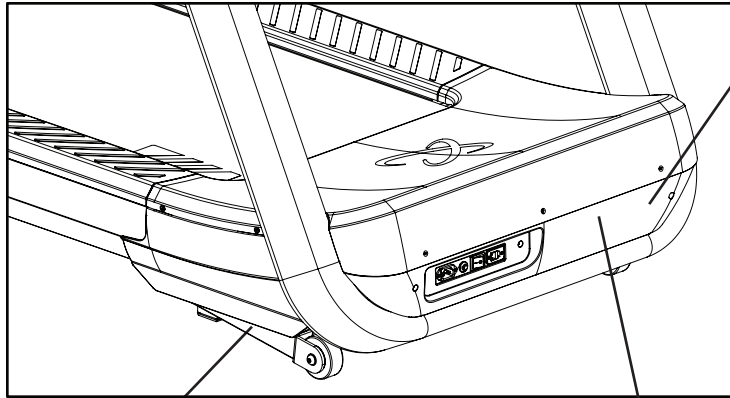
GARDEZ LES JEUNES ENFANTS ÉLOIGNÉS DE CETTE MACHINE À TOUT MOMENT. LE CONTACT AVEC LA SURFACE EN MOUVEMENT PEUT PROVOQUER DE GRAVES BRÛLURES PAR FRICTION.

MANTENGA A LOS NIÑOS PEQUEÑOS ALEJADOS DE ESTA MÁQUINA EN TODO MOMENTO. EL CONTACTO CON LA SUPERFICIE EN MOVIL PUEDE RESULTAR EN QUEMADURAS GRAVES POR FRICCIÓN.

HALTEN SIE KLEINE KINDER STETS VON DIESER MASCHINE FERN. DER KONTAKT MIT DER BEWEGLICHEN OBERFLÄCHE KANN ZU SCHWEREN REIBUNGSVERBRENUNGEN FÜHREN.

80429-V2024-12-10

	Model / Modèle / Modelo / Modell	Voltage / Tension / Voltaje / Stromspannung	
	Load / Charge / Carga / Laden	Frequency / Frecuencia / Frecuencia / Frequenz	
	Class / Classe / Class / Klasse	Power / Potencia / Fuerza / Leistung	
	SERIAL NO. NO DE SÈRIE SERIEN-NR.	XXXXX-X-XXX-X-XX-XX-XXXXXX	
			



**⚠ CAUTION / ATTENTION / CUIDADO / VORSICHT**  
 KEEP HANDS AND FEET AWAY WHILE TREADMILL IS RUNNING.  
 TENIR LES PIEDS ET LES MAINS ÉLOIGNÉS LORSQUE LE TAPIS ROULANT EST EN MARCHÉ.  
 MANTENGA LAS MANOS Y LOS PIES ALEJADOS AL USAR LA CINTA DE CORRER.  
 HALTEN SIE IHRE HÄNDE UND FÜßE FERN, WENN SICH DER LAUFGURT BEWEGT. 80310-V2024-11-27

**⚠ WARNING / Avertissement / Advertencia / WARNUNG**  
 TO REDUCE THE RISK OF INJURY FROM MOVING PARTS AND ELECTRIC SHOCK UNPLUG THE MACHINE BEFORE CLEANING OR SERVICING.  
 POUR RÉDUIRE LE RISQUE DE BLESSURES DUE À DES PIÈCES MOBILES ET À DES DÉCHARGES ÉLECTRIQUES DÉBRANCHEZ L'APPAREIL AVANT DE LE NETTOYER OU DE L'ENTREtenir.  
 PARA REDUCIR EL RIESGO DE LESIONES CAUSADAS POR PARTES MÓVILES O DESCARGAS ELÉCTRICAS, DESENCHUFE LA MÁQUINA ANTES DE LA LIMPIEZA O EL SERVICIO.  
 UM DAS RISIKO EINES STROMSCHLAGS UND DER VERLETZUNGSGEFAHR DURCH BEWEGLICHTEILE ZU REDUZIEREN, TRENNEN SIE VOR DER REINIGUNG ODER WARTUNG DER MASCHINE DIE STROMVERBINDUNG. 80419-V2025-03-17



**⚠ WARNING**

CONTACT MAY CAUSE ELECTRICAL SHOCK OR BURNS. TURN OFF POWER AND UNPLUG BEFORE SERVICING.

ELECTRICAL SHOCK HAZARD- PLUG INTO A GROUNDED 3 PRONG OUTLET.  
 DO NOT REMOVE THE GROUND PRONG FROM THE POWER CORD PLUG.  
 DO NOT USE AN ADAPTER OR AN EXTENSION CORD.  
 FAILURE TO FOLLOW THESE INSTRUCTIONS CAN RESULT IN DEATH, FIRE OR ELECTRICAL SHOCK.

80448-V2025-01-24

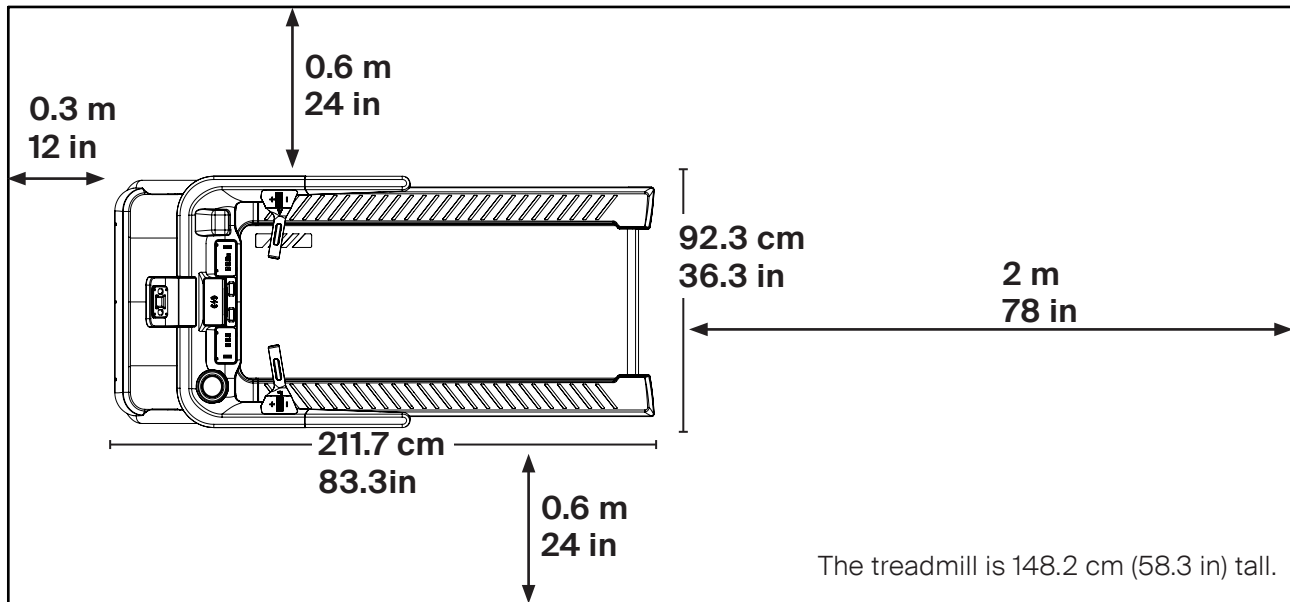
-Attached to Power Cord

## SPACE REQUIREMENTS

This treadmill requires a minimum amount of floor space to safely operate. Keep a minimum open area of 2 m (78 in) behind the treadmill, and 0.6 m (24 in) on both sides. A space of 0.3 m (12 in) in the front is recommended for access to the power cord and switch.

Total Surface Area (footprint) of machine: 19,540 cm<sup>2</sup>

Weight of machine: T7 - 164.1 kg (361.8 lbs)  
T7S - 164.9 kg (363.5 lbs)

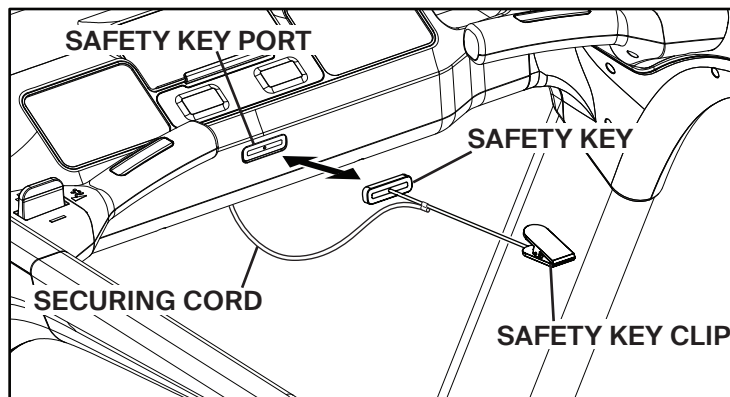


## USE OF SAFETY KEY

This treadmill is designed with a removable Safety Key. If the Safety Key is not set into the Safety Key Port, the treadmill will not operate and will display "Please Reinsert the Safety Key". The console display will reset once the Safety Key is set into the Safety Key Port.

### WARNING

During a workout, attach the Safety Key Red Clip to the clothing directly in front of the Safety Key. In case of emergency, remove the Safety Key to immediately stop the belt and shut off the treadmill.



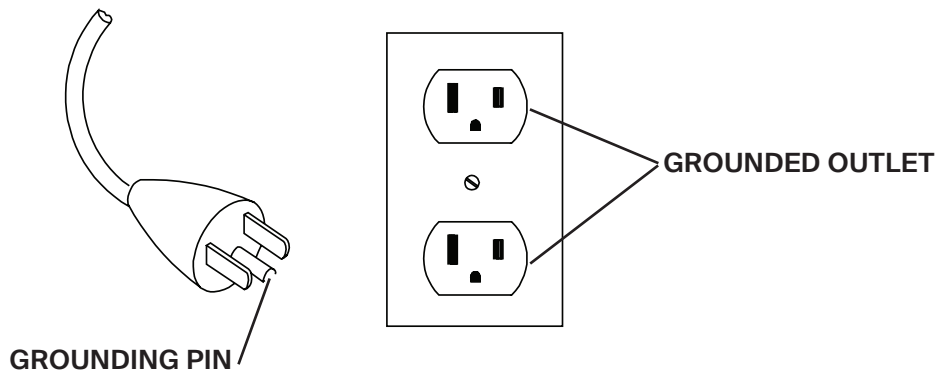
A securing cord fastens the Safety Key to the machine. The screw that fastens the securing cord can be removed to store the Safety Key away from the machine.

## GROUNDING INSTRUCTIONS (FOR 110V MACHINES)

This product must be grounded. If it should malfunction or breakdown, grounding provides a path of least resistance for electric current to reduce the risk of electric shock. This treadmill is equipped with a cord having an equipment-grounding conductor and a grounding plug. The plug must be plugged into an appropriate outlet that is properly installed and grounded in accordance with all local codes and ordinances.

### DANGER

Improper connection of the equipment-grounding conductor can result in a risk of electric shock. Check with a qualified electrician or serviceman if you are in doubt as to whether the product is properly grounded. Do not modify the plug provided with the treadmill, if it will not fit the outlet, have a proper outlet installed by a qualified electrician.

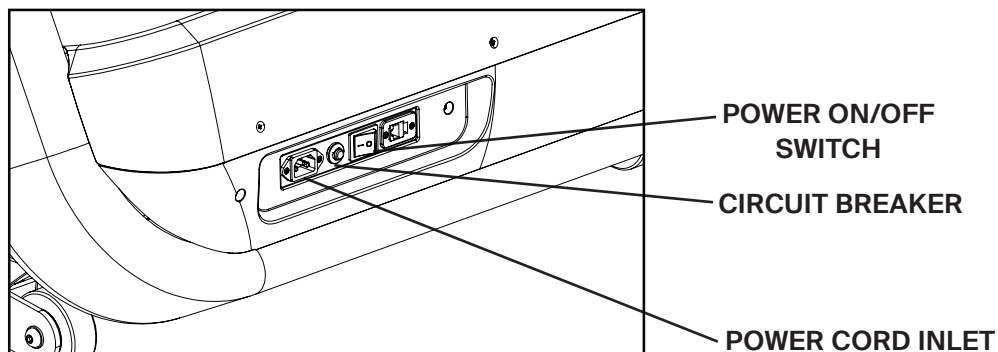


This treadmill is intended for use on a nominal 120V circuit and has a grounding plug that looks like the plug illustrated above. Make sure the treadmill is connected to an outlet that has the same configuration as the plug. **No extension cord or adapter should be used for this treadmill.**

## POWER REQUIREMENTS (FOR 110V MACHINES)

### WARNING

1. This treadmill requires a power source of 15 Amps (120V) in order to properly operate. For your safety, as well as the safety of others, please verify that the power source is correct before plugging in the treadmill. Any power source above or below this grade could cause significant damage to the treadmill and or user.
2. Never use a ground fault circuit interrupt (GFCI) wall outlet with this treadmill. Route the power cord away from any moving part of the treadmill, including the elevation mechanism and transport wheels.
3. Never operate the treadmill using a generator or UPS power supply.
4. Never remove any cover without first disconnecting AC power.

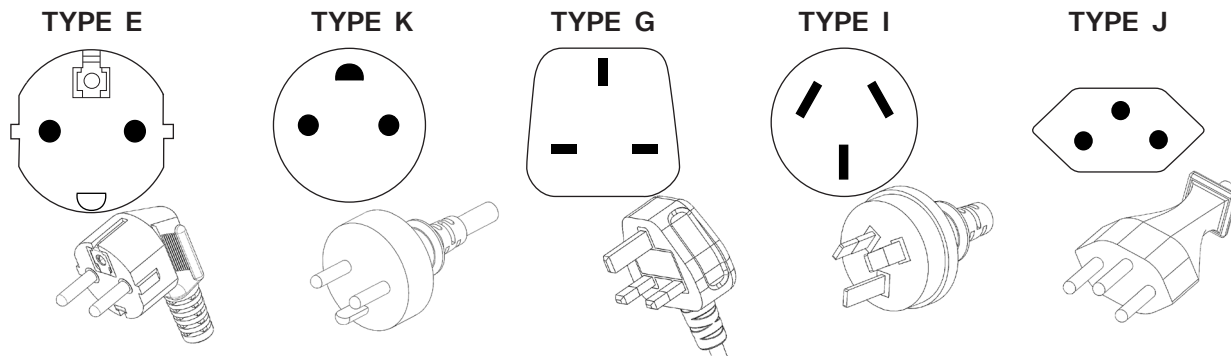


## GROUNDING INSTRUCTIONS (FOR 220V MACHINES)

This product must be grounded. If it should malfunction or breakdown, grounding provides a path of least resistance for electric current to reduce the risk of electric shock. This treadmill is equipped with a cord having an equipment-grounding conductor and a grounding plug. The plug must be plugged into an appropriate outlet that is properly installed and grounded in accordance with all local codes and ordinances.

### DANGER

Improper connection of the equipment-grounding conductor can result in a risk of electric shock. Check with a qualified electrician or serviceman if you are in doubt as to whether the product is properly grounded. Do not modify the plug provided with the treadmill, if it will not fit the outlet, have a proper outlet installed by a qualified electrician.

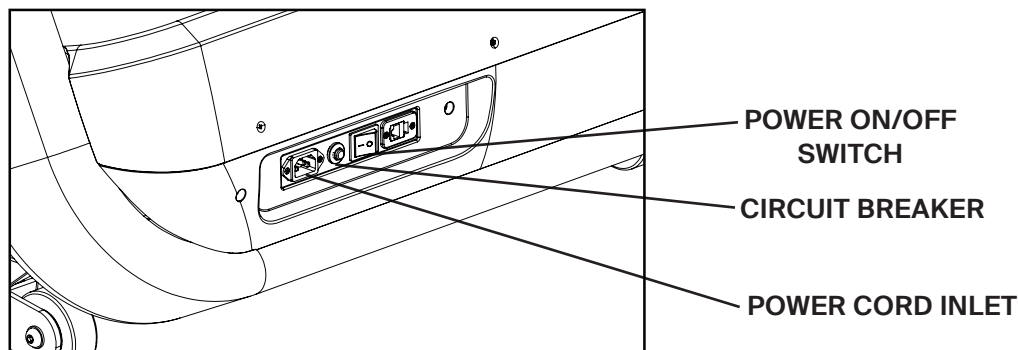


This treadmill is intended for use on a nominal 220V circuit and has a plug that looks like one of the plugs illustrated above (depending on your region). Make sure the treadmill is connected to an outlet have the same configuration as the plug. No extension cord or adapter should be used for this treadmill.

## POWER REQUIREMENTS (FOR 220V MACHINES)

### WARNING

1. This treadmill requires a power source of 10 Amps (220V) in order to properly operate. For your safety, as well as the safety of others, please verify that the power source is correct before plugging in the treadmill. Any power source above or below this grade could cause significant damage to the treadmill and or user.
2. Never use a ground fault circuit interrupt (GFCI) wall outlet with this treadmill. Route the power cord away from any moving part of the treadmill, including the elevation mechanism and transport wheels.
3. Never operate the treadmill using a generator or UPS power supply.
4. Never remove any cover without first disconnecting AC power.



## NOTICES

This device complies with Part 15 of the FCC Rules and Industry Canada license-exempt RSS standard(s). Operation is subject to the following two conditions: (1) this device may not cause harmful interference, and (2) this device must accept any interference received, including interference that may cause undesired operation.

Cet appareil est conforme à la Partie 15 des règlements de la FCC et aux normes RSS exemptes de licence d'Industrie Canada.. Son utilisation est assujettie aux deux conditions suivantes : (1) l'appareil ne doit pas produire de brouillage préjudiciable, et (2) il doit accepter tout brouillage radioélectrique subi, même si le brouillage est susceptible d'en compromettre le fonctionnement.

Este dispositivo cumple la Parte 15 de las normas de la FCC y la(s) norma(s) RSS de exención de licencia de Industry Canada. Su utilización está sujeta a las siguientes dos condiciones: (1) Este equipo no puede provocar interferencias nocivas, y (2) Este equipo debe aceptar cualquier interferencia recibida, incluidas las interferencias que puedan provocar un funcionamiento no deseado.

Caution: The user is cautioned that changes or modifications not expressly approved by the party responsible for compliance could void the user's authority to operate the equipment.

Avertissement: Des modifications ou changements apportés à cet appareil sans l'approbation expresse de la partie responsable de sa conformité sont susceptibles d'annuler l'autorisation de l'utilisateur à faire fonctionner l'équipement.

Precaución: Se advierte al usuario de que los cambios o modificaciones que no hayan sido expresamente aprobados por la parte responsable de la obtención de la homologación podrían anular el derecho del usuario a utilizar el equipo.

**NOTE:** This equipment has been tested and found to comply with the limits for a Class B digital device, pursuant to Part 15 of the FCC Rules. These limits are designed to provide reasonable protection against harmful interference in a residential installation. This equipment generates, uses and can radiate radio frequency energy and, if not installed and used in accordance with the instructions, may cause harmful interference to radio communications. However, there is no guarantee that interference will not occur in a particular installation.

**REMARQUE:** Cet équipement a été testé et jugé conforme aux limites établies pour un appareil numérique de classe B, conformément à la partie 15 des règlements de la FCC. Ces limites visent à assurer une protection raisonnable contre le brouillage préjudiciable dans un environnement résidentiel. Cet équipement génère, utilise et peut émettre de l'énergie de radiofréquence et, s'il n'est pas installé et utilisé conformément aux instructions, peut causer un brouillage préjudiciable aux communications radio. Toutefois, il n'est pas garanti qu'aucun brouillage ne se produira dans une installation particulière.

**NOTA:** Este equipo ha sido sometido a pruebas que confirman su cumplimiento de los límites para dispositivos digitales de clase B, conforme a la Parte 15 de las normas de la FCC. Estos límites están diseñados para proporcionar una protección razonable frente a interferencias dañinas en instalaciones domésticas. Este equipo genera, utiliza y puede irradiar energía de radiofrecuencia, por lo que, si no se instala y utiliza conforme a las instrucciones, puede provocar interferencias dañinas en comunicaciones de radio. No obstante, no existe garantía de que no vayan a producirse interferencias en instalaciones concretas.

If this equipment does cause harmful interference to radio or television reception, which can be determined by turning the equipment off and on, the user is encouraged to try to correct the interference by one or more of the following measures:

- Reorient or relocate the receiving antenna.
- Increase the separation between the equipment and receiver.
- Connect the equipment into an outlet on a circuit different from that to which the receiver is connected.
- Consult the dealer or an experienced radio/TV technician for help.

Si cet équipement cause des interférences nuisibles à la réception radio ou télévision, ce que l'on peut constater en éteignant et en rallumant l'équipement, il est recommandé à l'utilisateur d'essayer de corriger l'interférence par une ou plusieurs des mesures suivantes :

- Réorienter ou déplacer l'antenne de réception.
- Augmenter la distance entre l'équipement et le récepteur.
- Brancher l'équipement dans une prise d'un circuit différent de celui auquel le récepteur est connecté.
- Consulter le revendeur ou un technicien radio/TV expérimenté pour obtenir de l'aide.

En el caso de que este equipo provoque interferencias dañinas en la recepción de radio o televisión, lo que puede determinarse encendiendo y apagando el equipo, el usuario deberá intentar corregir dichas interferencias adoptando una o varias de las siguientes medidas:

- Reorientar o cambiar de lugar la antena receptora.
- Aumentar la distancia entre el equipo y el receptor.
- Conectar el equipo a una toma de un circuito distinto al del receptor.
- Consultar al proveedor o a un técnico con experiencia en radio / TV para obtener ayuda.

## **FCC & IC RADIATION EXPOSURE STATEMENT:**

This equipment complies with FCC and Canada radiation exposure limits set forth for an uncontrolled environment. This equipment should be installed and operated with a minimum distance of 20cm between the radiator and your body. This transmitter must not be co-located or operating in conjunction with any other antenna or transmitter.

## **DÉCLARATION D'IC SUR L'EXPOSITION AUX RADIATIONS DE LA FCC ET DE L'IC:**

Cet équipement est conforme aux limites d'exposition aux radiations définies par le Canada pour des environnements non contrôlés. Il doit être installé et utilisé à une distance minimum de 20 cm entre l'antenne et le corps humain. Cet émetteur ne doit pas être installé au même endroit ni utilisé avec une autre antenne ou un autre émetteur.

## **DECLARACIÓN DE EXPOSICIÓN A RADIACIONES DE LA FCC E IC:**

Este equipo cumple los límites de exposición a radiaciones que la FCC e IC estipulan para entornos no controlados. Este equipo debe instalarse y utilizarse con una distancia mínima de 20 cm entre el equipo emisor de radiaciones y el cuerpo. Este transmisor no debe situarse ni utilizarse junto a otra antena o transmisor.

## WIRELESS TRANSMISSION POWER:

T7 CE: BT Classic -0.8dBm, BLE 1.18dBm

T7 FCC: BT Classic -2.88dBm, BLE 0.36dBm

T7 IC: BT Classic -2.88dBm, BLE 0.36dBm

T7S CE: BT Classic -0.31dBm, BLE 2.44dBm, 2.4G Wi-Fi 17.94dBm

T7S FCC: BT Classic 4.38dBm, BLE 0.82dBm, 2.4G Wi-Fi 21.61dBm

T7S IC: BT Classic -2.88dBm, BLE 4.38dBm, 2.4G Wi-Fi 21.61dBm



Waste electrical products must be handed over to a designated collection point for disposal to be recycled in an environmentally sound manner. Improper disposal of this product could result in harm to the environment or to human health. Check with your local waste authority or the retailer where you purchased this product for available collection facilities or further recycling advice. Please avoid the generation of waste from electrical products as much as possible, e.g. by giving preference to products with a longer service life or by reusing used electrical products instead of disposing of them. You are responsible for deleting any personal data from this product before disposing of it.

Les déchets d'équipements électriques doivent être remis à un écocentre désigné afin qu'ils soient éliminés et recyclés de façon écologique. Une élimination inadéquate de ce produit pourrait nuire à l'environnement ou à la santé humaine. Veuillez vous renseigner auprès de votre autorité locale en matière de déchets ou du détaillant à qui vous avez acheté ce produit pour connaître les écocentres disponibles ou obtenir des conseils supplémentaires sur le recyclage. Dans la mesure du possible, évitez de générer des déchets électroniques, par exemple en privilégiant les produits ayant une durée de vie plus longue ou en réutilisant les produits usagés plutôt que de les jeter. La destruction des données personnelles dans l'appareil est de votre responsabilité avant de vous en défaire.

Los productos eléctricos residuales deben llevarse a un punto limpio para que sean reciclados de forma respetuosa con el medio ambiente. Desechar este producto incorrectamente puede provocar daños medioambientales y en la salud de las personas. Consulte a su ayuntamiento o al comercio del que adquirió el producto para conocer las instalaciones de recogida disponibles o consejos de reciclaje adicionales. Evite generar residuos de productos eléctricos en la medida de lo posible, por ejemplo, dando prioridad a productos con una vida de servicio más larga o reutilizando los productos eléctricos usados en lugar de desecharlos. Es su responsabilidad borrar cualquier dato personal de este producto antes de desecharlo.

## **FLOOR PROTECTION NOTICE:**

To help prevent damage to your flooring, it is strongly recommended to place the treadmill on a non-slip, protective floor mat. Prolonged contact between the treadmill base and certain floor types (e.g., hardwood, vinyl, tile, or carpet) may result in scuffs, pressure marks, or surface wear, especially during transport or use. A floor mat can also help reduce noise, vibration, and movement during workouts.

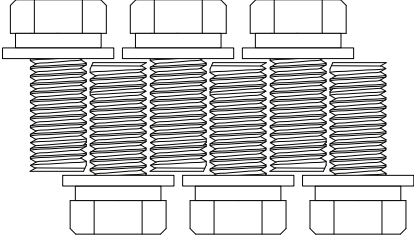
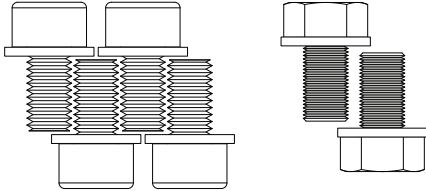
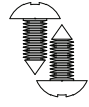
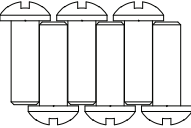
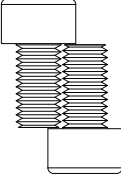
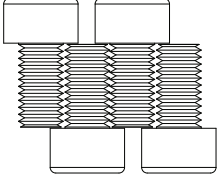
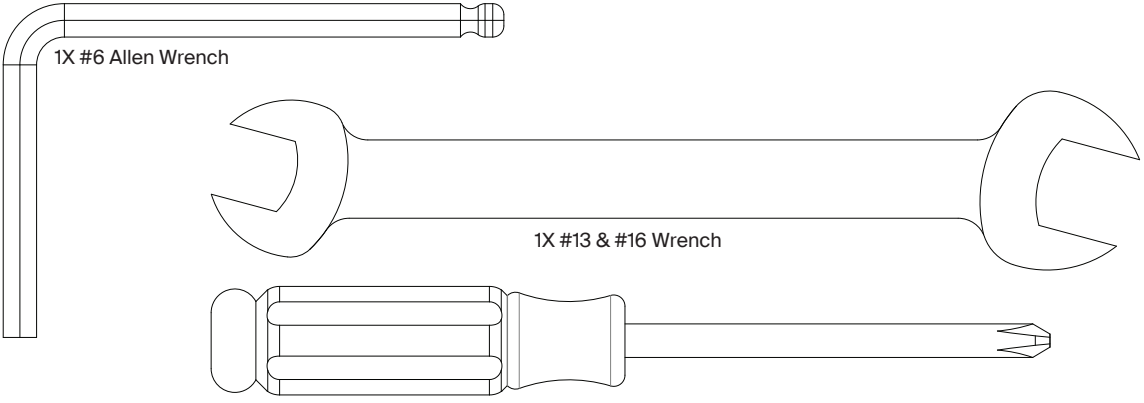
## **AVIS DE PROTECTION DE PLANCHER:**

Pour aider à prévenir les dommages à votre revêtement de sol, il est fortement recommandé de placer le tapis roulant sur un tapis de protection antidérapant. Un contact prolongé entre la base du tapis roulant et certains types de revêtements de sol (p. ex. : bois franc, vinyle, céramique ou tapis) peut entraîner des dommages, notamment des égratignures, des marques de pression ou une usure prématurée, en particulier lors de l'utilisation ou du déplacement de l'appareil. Un tapis de sol peut également aider à réduire le bruit, les vibrations et les mouvements au cours de l'entraînement.

## **AVISO DE PROTECCIÓN DEL SUELO:**

Para evitar que el suelo sufra daños, se recomienda encarecidamente colocar la cinta de correr sobre una alfombrilla protectora no deslizante para suelo. El contacto prolongado de la base de la cinta de correr con determinados tipos de suelos (por ejemplo, madera, vinilo, baldosa o moqueta) puede provocar rayas, marcas por presión o desgaste de la superficie, especialmente durante su transporte y utilización. Una alfombrilla para suelo también puede contribuir a reducir el ruido, las vibraciones y los movimientos durante el ejercicio.

# HARDWARE PACK (NOT TO SCALE)

HARDWARE		
<p><b>STEP 2</b></p>  <p>6X Bolt, M10X25 (14) 6X Lock Washer, 10 (15) 6X Washer, 10 (16)</p>	<p><b>STEP 3</b></p>  <p>4X Bolt, M8X15 (17) 4X Washer, 8 (19)</p> <p>2X Bolt, M8X15 (18) 2X Washer, 8 (19)</p>  <p>2X Screw, 4.2X10 (20)</p>	
<p><b>STEP 5</b></p>  <p>6X Screw, M5X15 (21)</p>	<p><b>STEP 8</b></p>  <p>2X Bolt, M8X15 (17)</p>	<p><b>STEP A</b></p>  <p>4X Bolt, M8X15 (17)</p>
 <p>1X #6 Allen Wrench</p> <p>1X #13 &amp; #16 Wrench</p> <p>1X Phillips screwdriver</p>		

80319-EN-V2024-11-26

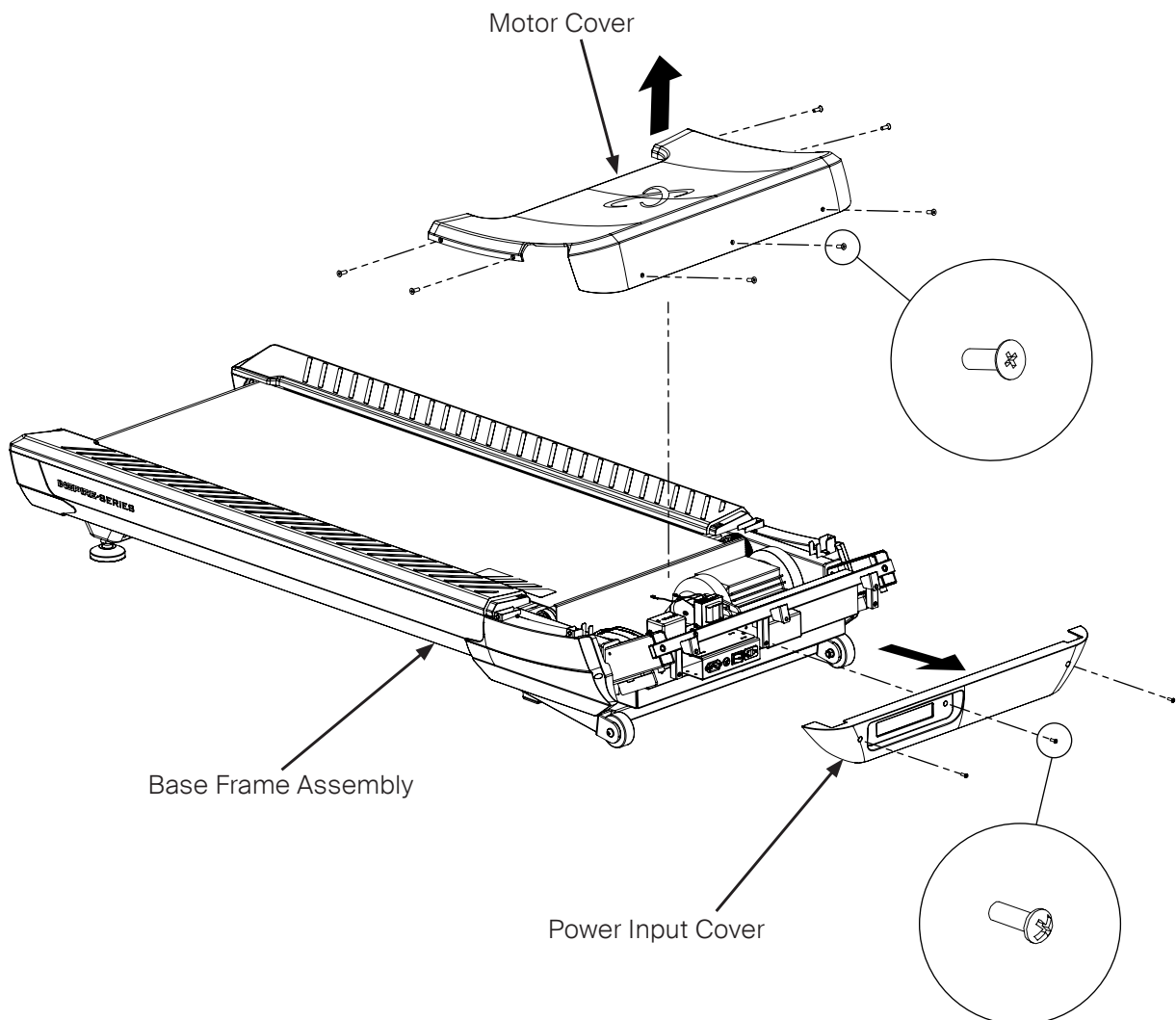
## ASSEMBLY

**NOTE: PLEASE REMOVE NUT AND WASHER FROM BOLT, PRIOR TO ASSEMBLING.**

### WARNING

It is recommended to have at least 2 people for unboxing and assembling the treadmill. Some parts of the treadmill may require two or more people to move depending on their physical abilities. Be sure that you and others are all physically fit and able to safely move the machine.

**STEP 1 -** Remove the indicated hardware from the **Motor Cover** and then the **Power Input Cover** from the **Base Frame Assembly**. Safely place the parts along with their hardware outside of the assembly area.

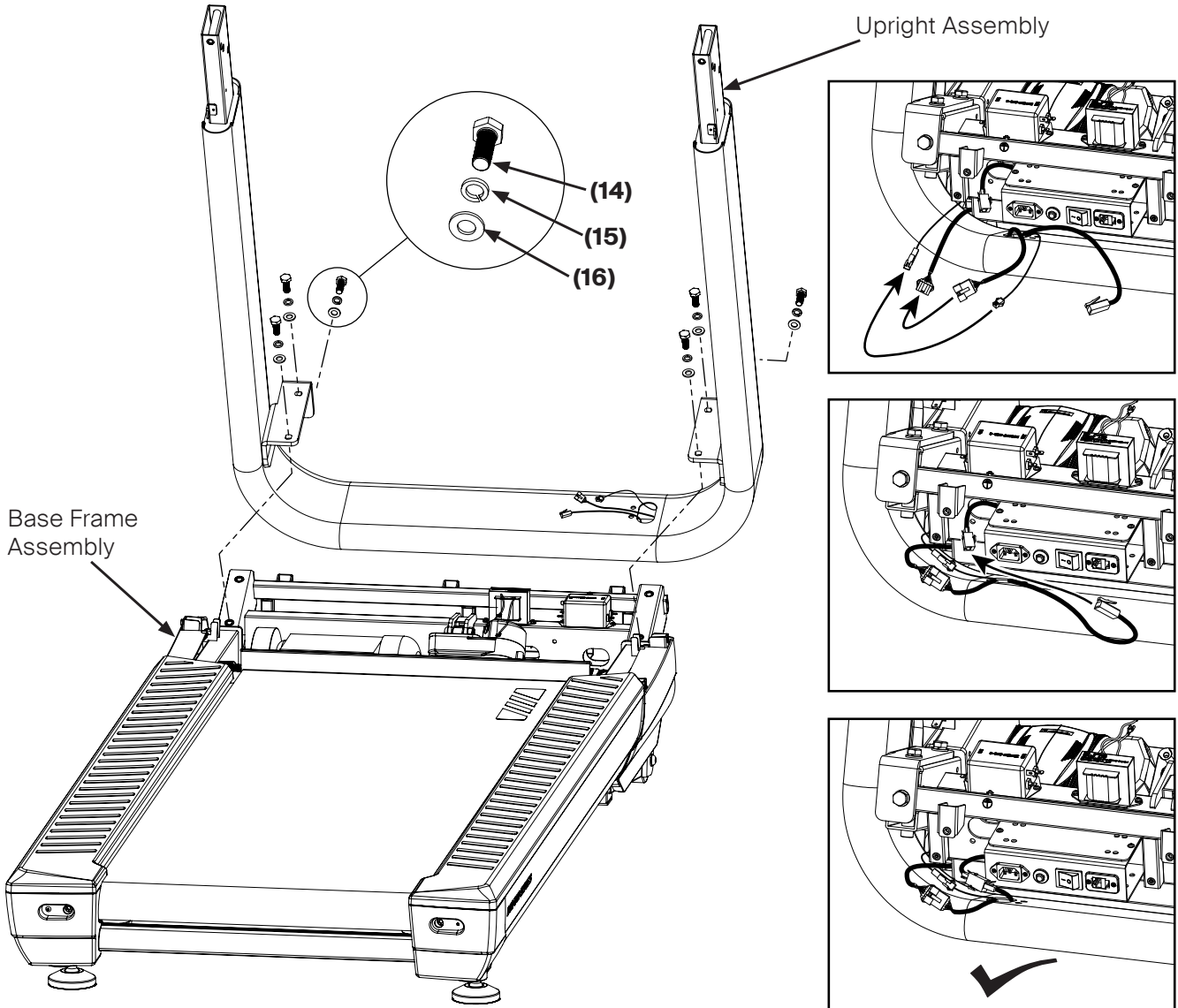


**STEP 2 - Attach the Upright Assembly to the Base Frame Assembly.** Be sure not to crimp or cut the Cables. **DO NOT FULLY TIGHTEN THE HARDWARE UNTIL INSTRUCTED.** Once attached, connect the Cables from the **Upright Assembly** to the **Base Frame Assembly**.

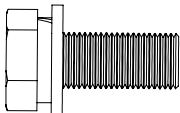
**WARNING**

Be sure to keep fingers away when placing the **Upright Assembly** onto the **Base Frame Assembly**. Do not pinch any fingers.

**NOTE:** It is recommended to have at least 2 people for this step. Only touch the Cables that need to be connected or damage to the machine could occur.



**HARDWARE REQUIRED:**

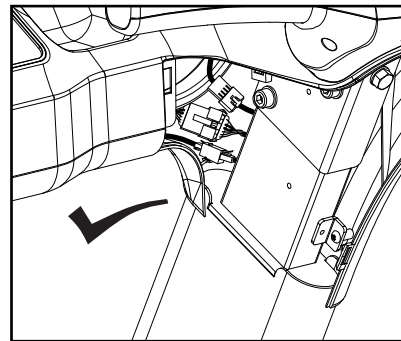
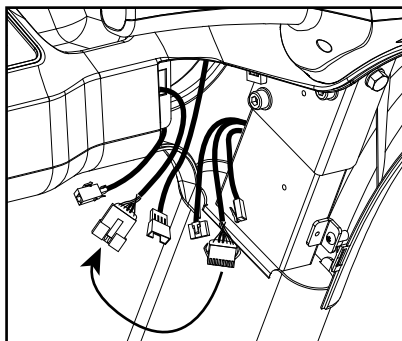
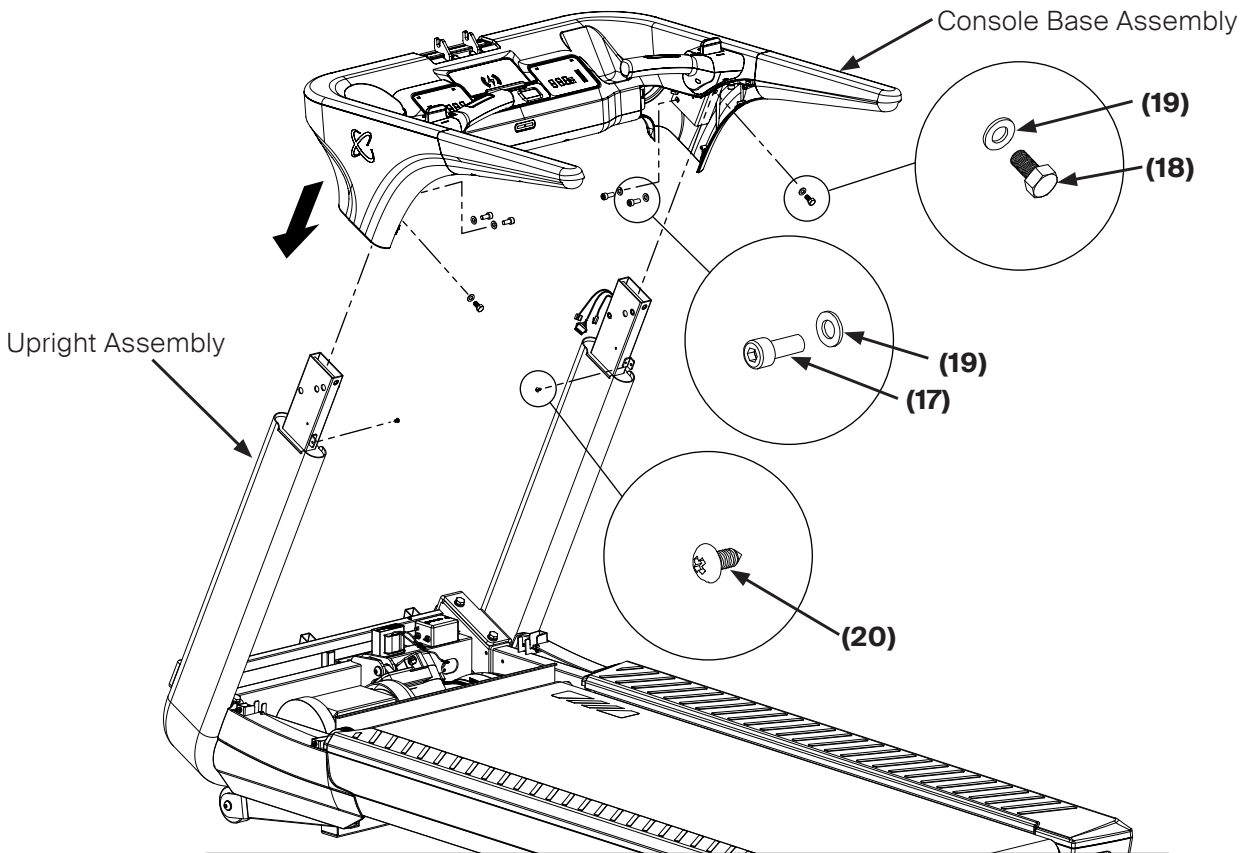


- 6X BOLT, M10X25 (14)
- 6X WASHER, 10, LOCK (15)
- 6X WASHER, FLAT, 10 (16)

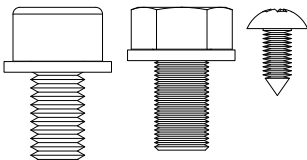
**STEP 3** - Attach the **Console Base Assembly** to the **Upright Assembly**. Be sure not to crimp or cut any Cables. **DO NOT FULLY TIGHTEN THE HARDWARE UNTIL INSTRUCTED.** Once attached, connect the Cables from the right **Upright** to the **Console Base Assembly**. It is recommended to have at least 2 people for this step.

**WARNING**

Be sure to keep fingers away from the ends of the Uprights when inserting the **Console Base Assembly** onto them. Do not pinch any fingers.

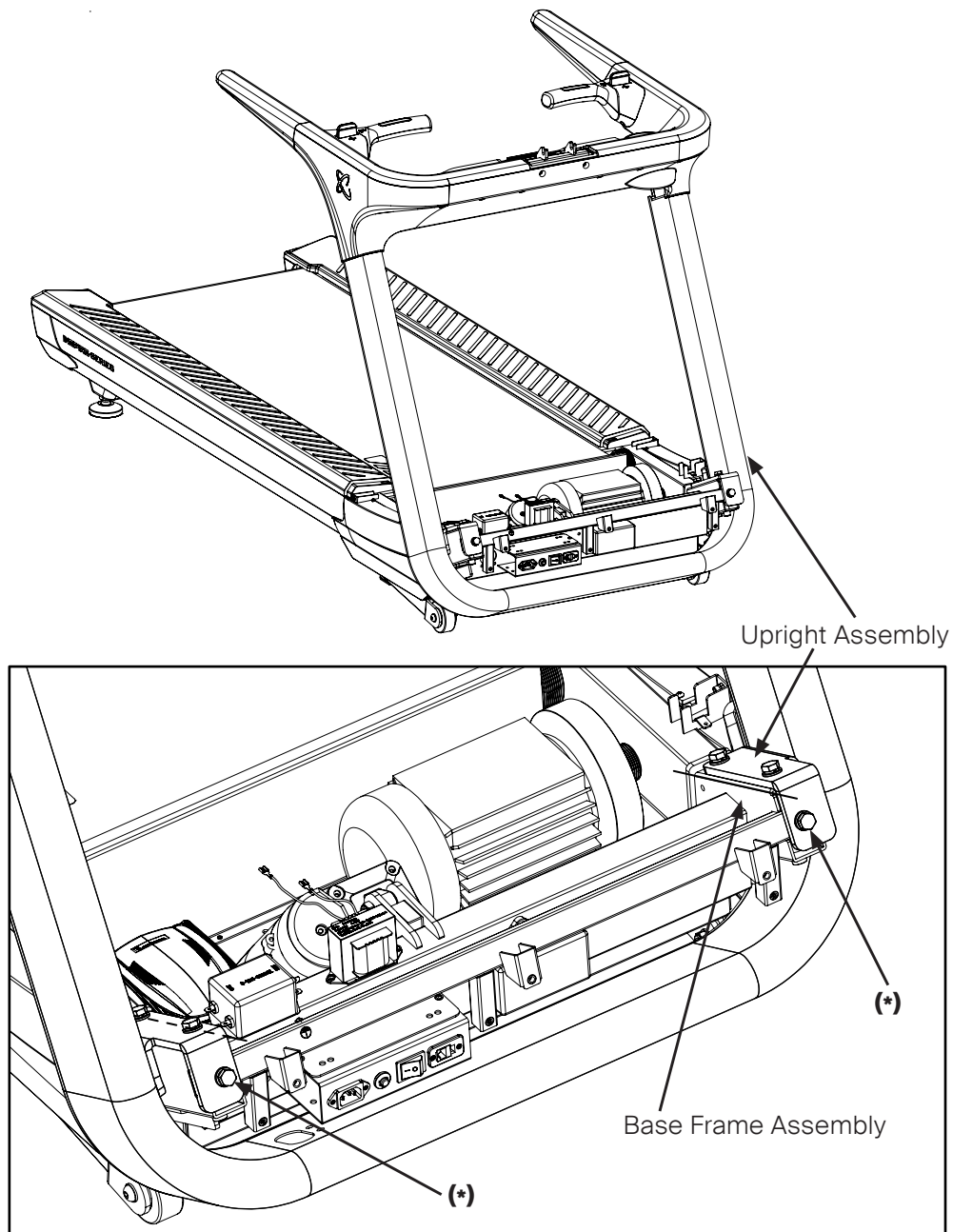


**HARDWARE REQUIRED:**



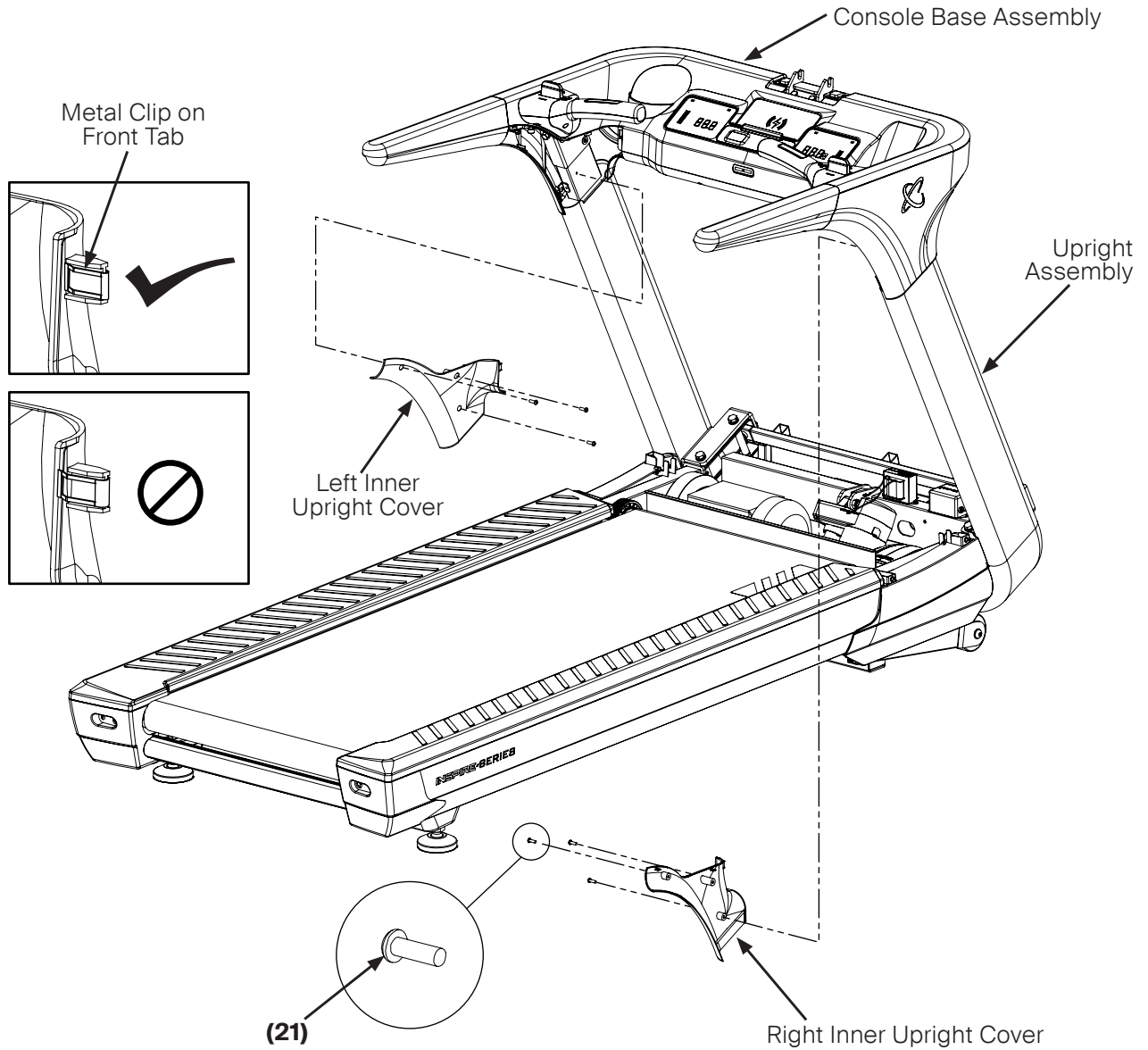
- 4X BOLT, M8X15 (17)
- 6X WASHER, FLAT, 8 (19)
- 2X BOLT, HEX HEAD, M8X15 (18)
- 2X SCREW, 4.2X10 (20)

**STEP 4** - Align the edges of the **Upright Assembly** with the **Base Frame Assembly** and fully tighten the front bolts (\*) that attach the **Upright Assembly**. THEN TIGHTEN ALL HARDWARE FROM PREVIOUS STEPS being sure that the **Upright Assembly** and **Base Frame Assembly** are still aligned.

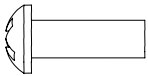


# CENTR

**STEP 5 - The Left and Right Inner Upright Covers** have a tab on the front with a metal clip. Be sure that the metal clip on the tab is centered on the tab, and not past the edge of the **Inner Upright Cover** before installing. Slide the tab into the **Console Base Assembly**, and then push the **Inner Upright Cover** into place.

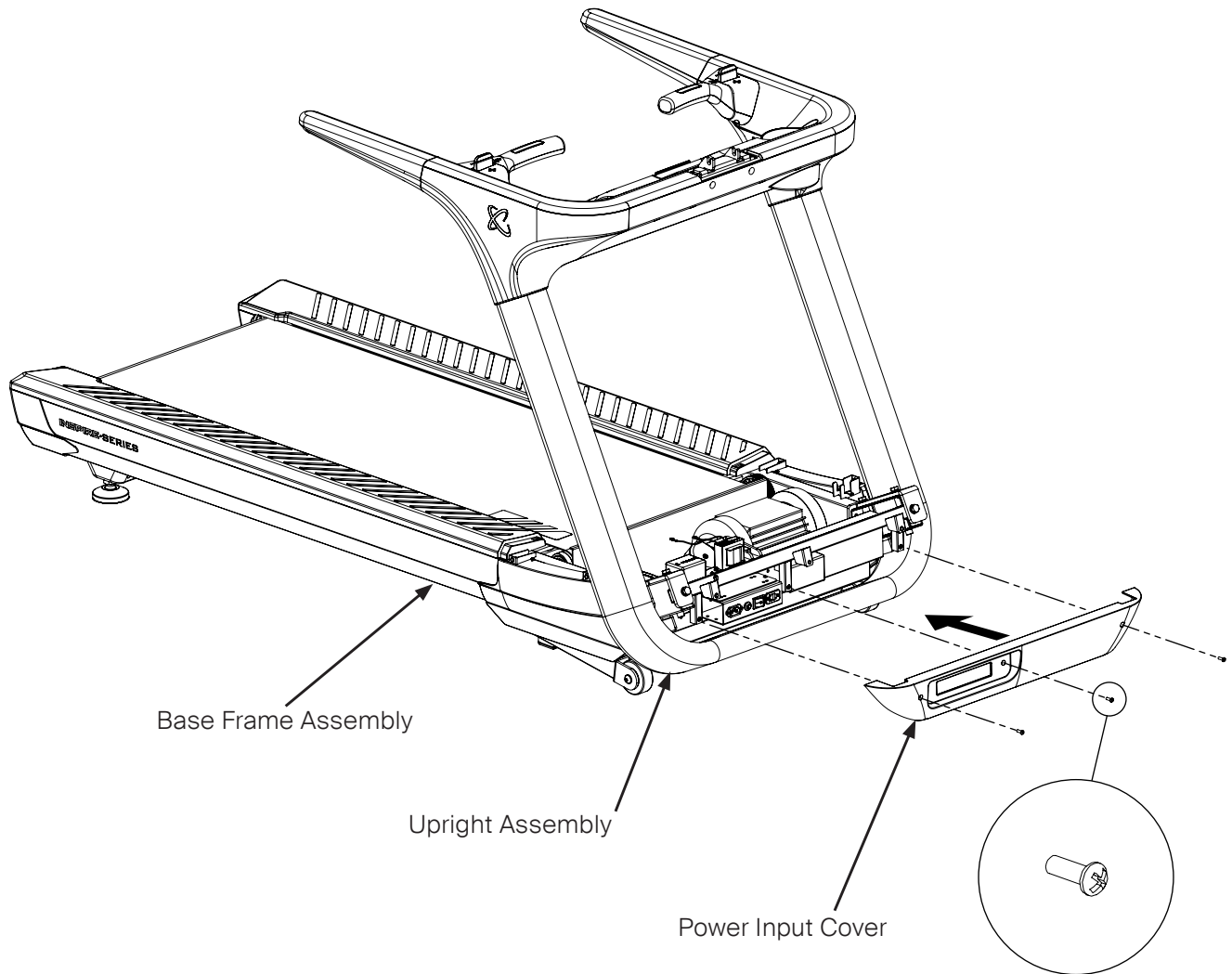


## HARDWARE REQUIRED:



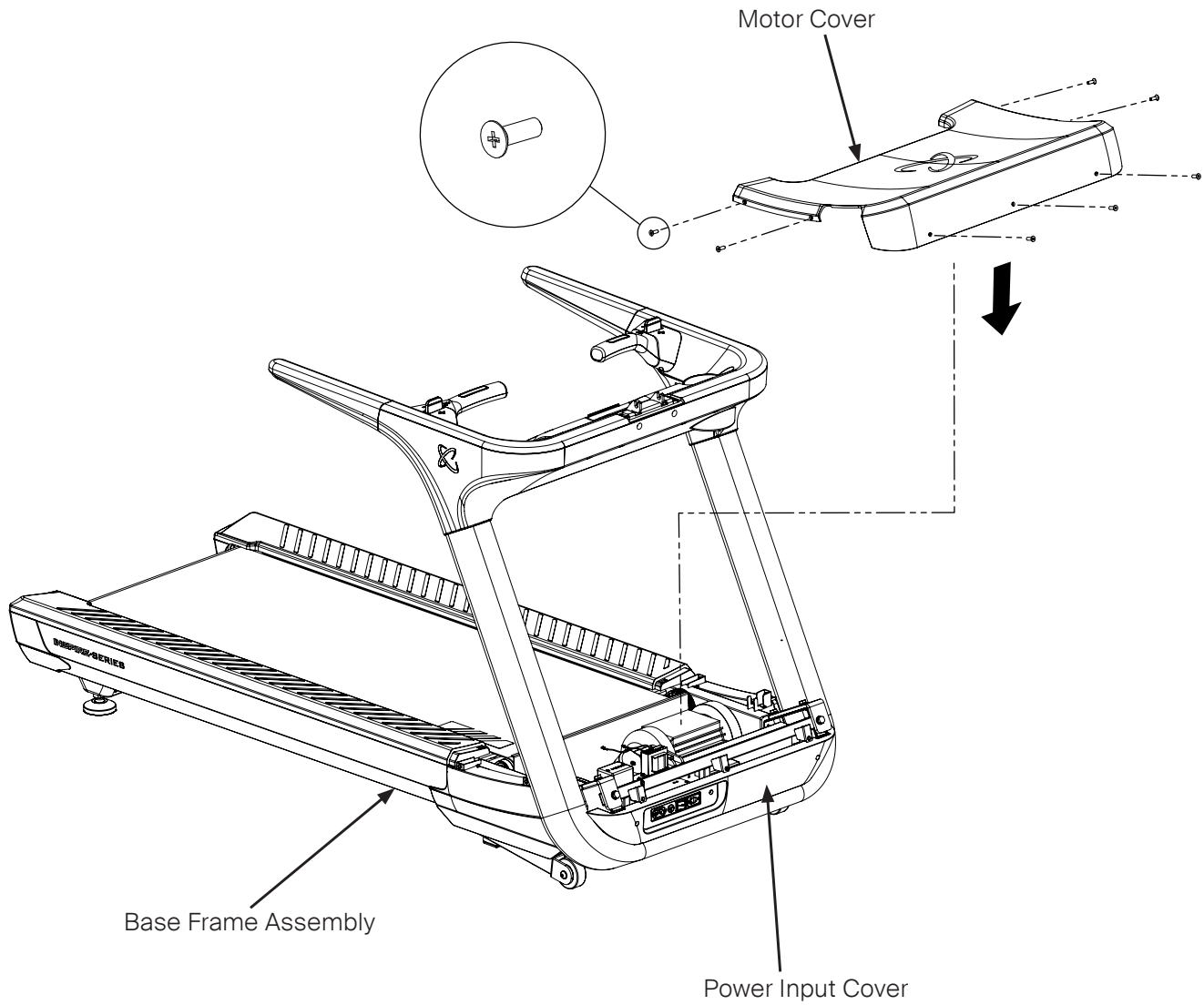
6X SCREW, M5X15 (21)

**STEP 6** - Re-attach the **Power Input Cover** to the **Base Frame Assembly** with the round head screws removed from the earlier step. **DO NOT FULLY TIGHTEN THE HARDWARE UNTIL INSTRUCTED.** Be sure not to crimp or cut any Cables.



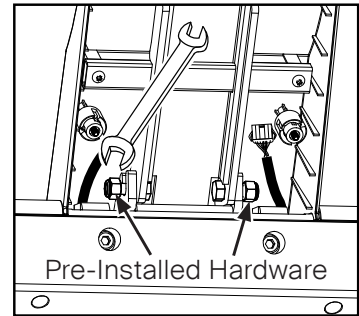
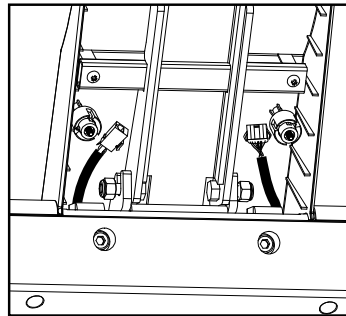
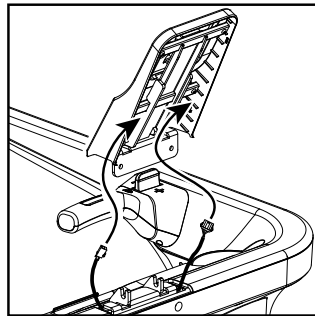
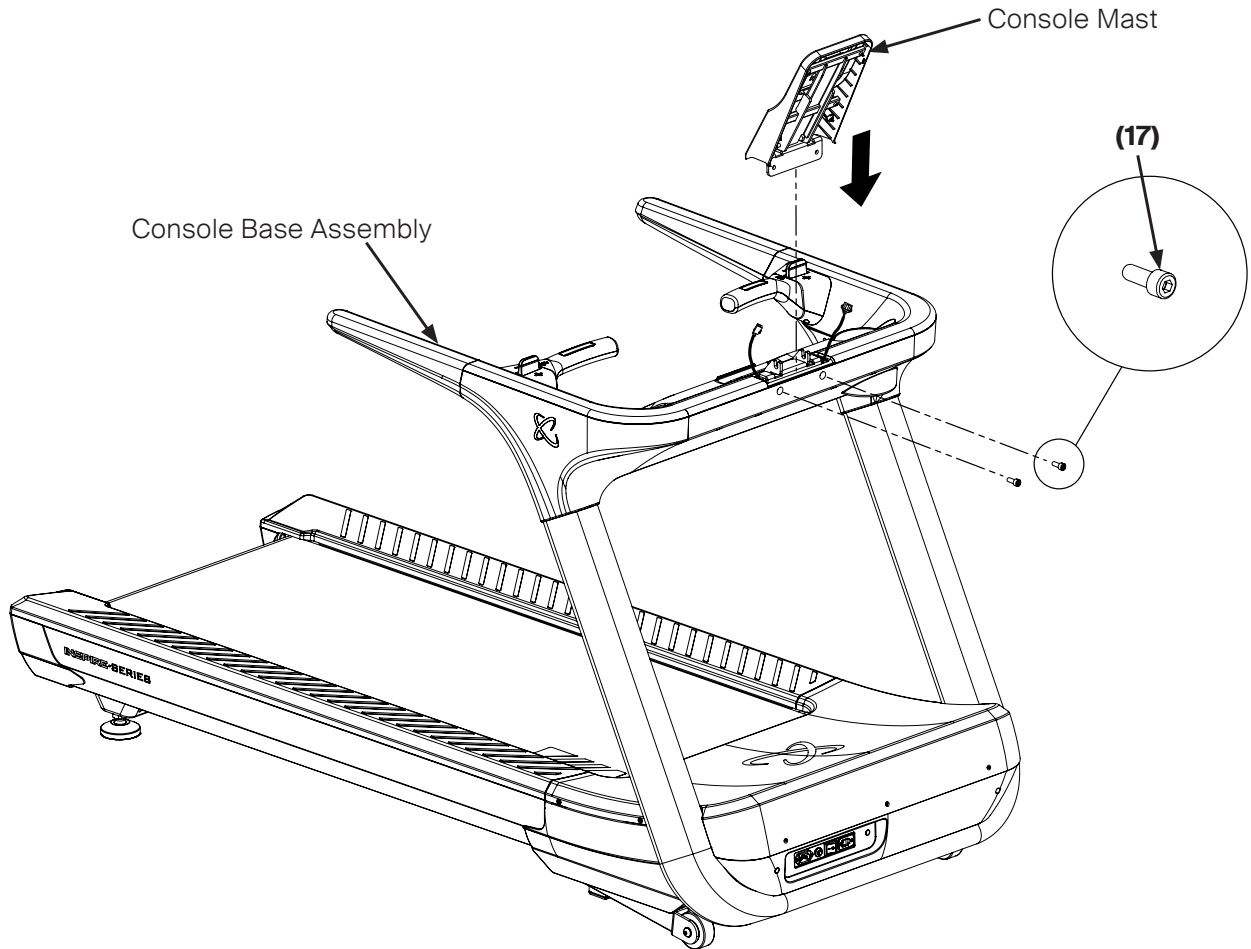
# CENTR

**STEP 7** - Re-attach the **Motor Cover** to the **Base Frame Assembly** with the flat head screws removed from the earlier step. The **Power Input Cover** may need to be slightly flexed to properly set the **Motor Cover**. **TIGHTEN ALL HARDWARE FROM PREVIOUS STEPS.**

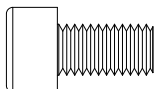


# CENTR

**STEP 8** - Route the Cables up into the **Console Mast** while sliding it down onto the **Console Base Assembly**. Only pull the Cables out enough to route them into the **Console Mast**. Be sure not to crimp or cut any Cables. Attach the **Console Mast** to the **Console Base Assembly**. Then tighten the pre-installed hardware inside of the **Console Mast** to fully secure it to the **Console Base Assembly**.



## HARDWARE REQUIRED:



2X BOLT, M8X15 (17)

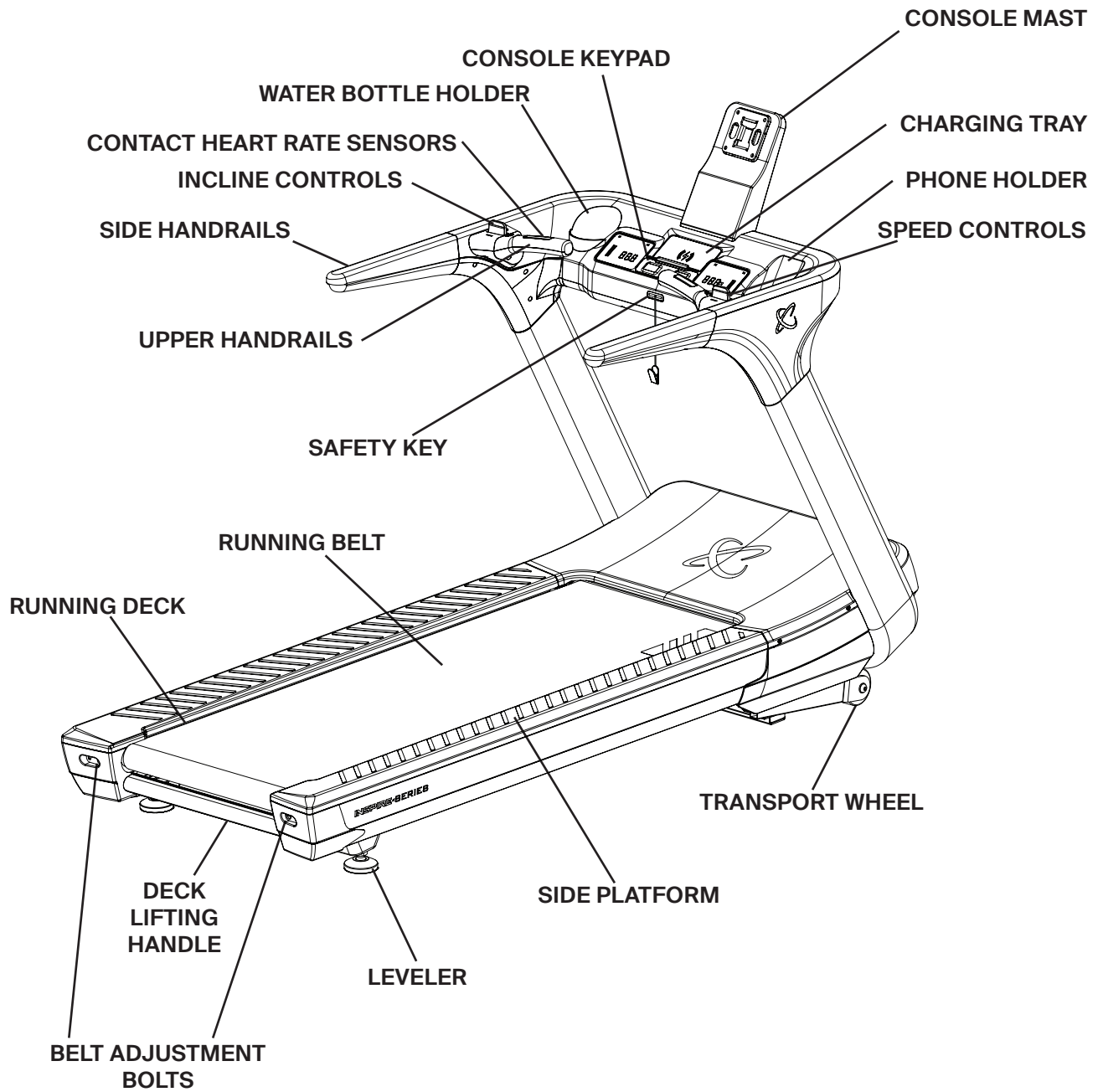
**STEP 9** - This treadmill has the option for a 15.6" Touchscreen (T5S) or a 15" Touch Key LED Display (T5). The assembly steps to attach the **Console Assembly** are in the Console User Manual, supplied along with the **Console Assembly**. If needed, the Console User Manual can be found by scanning the QR Code on the front page.

**Note:** If the Safety Key is not inserted into the Console Base Assembly, be sure to attach it when ready to workout.

**WARNING**

Remove the Safety Key and the Power Cord from the treadmill when not in use, and safely store out of reach of children.

## FEATURE OVERVIEW



## BEFORE YOU BEGIN

This treadmill is built for optimum safety. However, certain precautions apply whenever you operate a piece of exercise equipment.

### WARNING

Before using this treadmill, all users must read, understand, and carefully follow all warnings, instructions, and procedures on the treadmill and in this User Manual. The user is required to perform a complete visual inspection, and test of the features and functions of the assembled treadmill prior to use. Inspect all hardware and securing devices to be sure that they are fully tightened, and tighten as necessary.

### CAUTION

1. To avoid injury, use extreme caution when stepping onto or off of a moving belt.
2. Changes in speed do not occur immediately. Set your desired speed using the adjustment keys on the console. The speed will increase gradually.
3. While on the treadmill, move with caution as distractions may cause you to lose balance and stray from walking in the center of the belt, which may result in serious injury.
4. The treadmill starts at very low speed. To begin use, hold onto the handrails and stand on the side platforms while it starts up, then step onto the belt once it's in motion.
5. Always hold the handrail when changing settings on the console.
6. When ready to workout, attach the Safety Key and the Power Cord to the machine.

## CONSOLE OPERATION

This treadmill has the option for a 15.6" Touchscreen (T7S) or a 15" Touch Key LED Display (T7). Console operations and details are provided in the appropriate Console User Manual supplied along with the Console or by scanning the QR Code on the front page.

## CHARGING TRAY

For tech devices that can be charged with wireless charging, the treadmill has a Charging Tray on the Console Base.

## USB CHARGING

If a USB device is attached to the USB Port, the Port will attempt to charge the device. The power supplied from the USB Port may not be enough to operate the device and charge it at the same time.

## BLUETOOTH® AUDIO FROM DEVICE TO TREADMILL SPEAKERS


Your machine is able to play audio across a Bluetooth® connection from your phone or other Bluetooth audio device through the treadmill speakers. The name of the Bluetooth® audio device is “BT-Speaker”.

1. From your device, scan for available Bluetooth devices from the Bluetooth or Connected devices setting.
2. Tap on “BT-Speaker” to connect to it.
3. Once the device is found, tap on Pair.
4. The “BT-Speaker” is added to the Paired Devices list, and is currently active.
5. Play the desired audio on the device and adjust the volume with the console.

**Note:** To remove a previously connected or paired device from the list, tap on the icon to the right of the undesired device and select Unpair. The device is removed from the list.

## BLUETOOTH® AUDIO FROM THE TREADMILL TO HEADPHONES (T7S ONLY)

Your machine is able to play audio across a Bluetooth® connection to your Bluetooth headphones.

1. With the console active, tap on the Bluetooth  icon.
2. Activate your Bluetooth headphones and put them into pairing mode. Follow the instructions provided by the manufacturer to pair or connect it.
3. Once the Bluetooth headphones are found, the console will list it as an available device.

**Note:** If the Console has not found your headphones, tap the Refresh icon to search again for available devices.

4. Tap on Connect. The headphones will be connected, muting the speakers on the treadmill.

**Note:** To disconnect your device, tap on Disconnect from the list of connected devices.

## WORKING OUT WITH A FITNESS APP

Your machine is able to connect across a Bluetooth® connection to a fitness app (such as Zwift) running on your device. The app will reflect the current workout, but the speed and incline of the workout will be controlled by the treadmill.

1. Confirm that Bluetooth is active on your device.
2. Open the desired fitness app on your device, and log in to your account.
3. Next, connect the treadmill to the app. On the Zwift app, select the Run tab and tap on “Run Speed” from the Paired Devices screen.
4. The app will search for available devices, and will provide an available list.

The Bluetooth® word mark and logos are registered trademarks owned by Bluetooth SIG, Inc., and any use of such marks by Centr, LLC, is under license. Other trademarks and trade names are those of their respective owners.

---

5. Tap on “Centr-T7-XXXXXX” to select it.
6. The app will show that it is connected to the treadmill.
7. Tap OK.
8. Then select a workout and tap Start when ready to workout.
9. Once the workout on the app begins, push Start on the treadmill to begin a Quick Start workout. The app will capture your workout from the treadmill.

**Note:** If the app does not follow along with the workout, the connection to the treadmill may need to be reconnected. For the Zwift app, tap the lower left side of the screen on your device. Then tap on Menu, and the available options are displayed. Tap on Pair found on the right side of the display. The Paired Devices screen of the app is displayed. Repeat Steps 3-7 to reconnect the treadmill to the app.

## **BLUETOOTH® HEART RATE**

This console will connect to an activated chest strap or any other similar device that uses BLE protocol. With the Bluetooth Heart Rate device providing a heart rate, the console will detect it after approximately 15 seconds. Follow the instructions provided by the manufacturer to connect it to the treadmill.

**Note:** The console will connect to the first active Bluetooth Heart Rate device that it finds. Be sure to deactivate or remove other Bluetooth Heart Rate devices near the treadmill. If the Contact Heart Rate Sensors are grasped with a Bluetooth Heart Rate device connected, the Console will disconnect the Bluetooth device and use the Contact Heart Rate Sensors to detect your heart rate.

## **CONTACT HEART RATE SENSORS**

Contact Heart Rate sensors send your heart rate signals to the Console. The Contact Heart Rate sensors are the stainless steel parts of the Upper Handrails.

To use, put your hands comfortably around the sensors. Be sure that your hands touch both the top and the bottom of the sensors. Hold firm, but not too tight or loose. Both hands must make contact with the sensors for the Console to detect a pulse. After the Console detects four stable pulse signals, your initial pulse rate will be shown.

Once the Console has your initial heart rate, do not move or shift your hands for 30 to 60 seconds. The Console will adjust the initial heart rate value during this time.

Many factors influence the ability of the sensors to detect your heart rate signal:

- Movement of the upper body muscles (including arms) produces an electrical signal (muscle artifact) that can interfere with pulse detection. Slight hand movement while in contact with the sensors can also produce interference.
- Calluses and hand lotion may act as an insulating layer to reduce the signal strength.
- Some Electrocardiogram (EKG) signals generated by individuals are not strong enough to be detected by the sensors.
- The proximity of other electronic machines can generate interference.

If your heart rate signal ever seems erratic after validation, wipe off your hands and the sensors and try again.

## **WARNING**

The heart rate displayed is an approximation and should be used for reference only.

## MOVING INSTRUCTIONS

Before moving the treadmill, be sure that the Incline is set to 0, the Power switch is in Off position, and the power cord is removed from the outlet and machine.

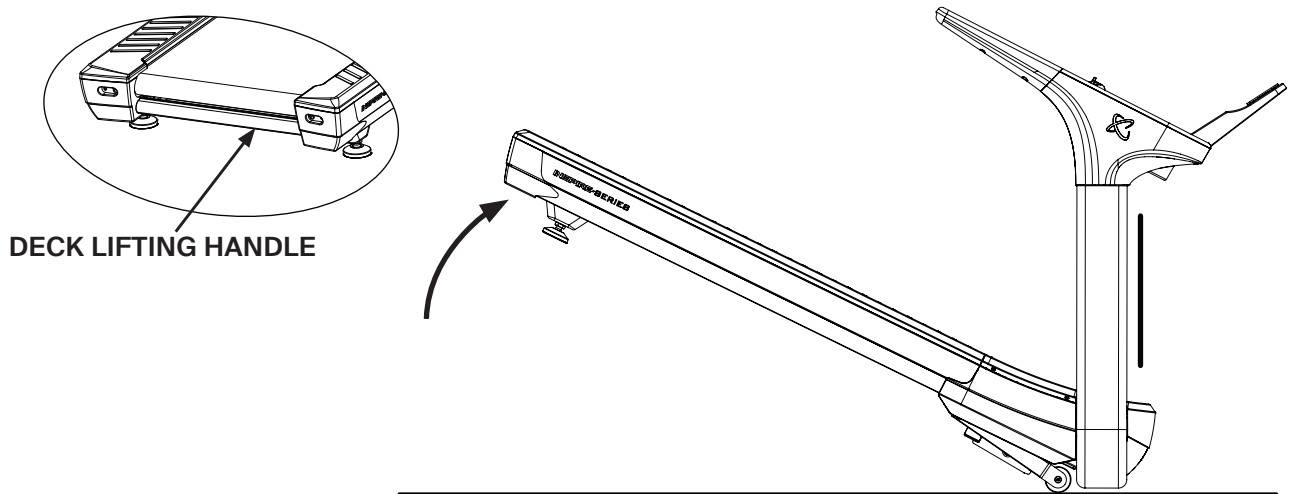
### WARNING

The treadmill may be moved by one or more people depending on their physical abilities. Be sure that you and others are all physically fit and able to safely move the machine.

1. Following proper lifting techniques (crouch with your legs and keep your back straight), securely cradle the Deck Lifting Handle found under the Belt with your hands.
2. Lifting with your legs, tilt the treadmill onto the transport rollers. Be sure to only tilt the treadmill until the Uprights are vertical, or damage to the floor may occur.
3. Push the treadmill forward into the new position.
4. Gently lower the treadmill into place.

### WARNING

Before lowering the treadmill, be sure that the floor space under the treadmill is clear of any objects.



## MAINTENANCE AND CARE

### WARNING

The safe operation of the machine can only be maintained when the equipment is regularly examined for damage and wear. It is the sole responsibility of the user/owner to ensure that regular maintenance and inspections for damage and wear are performed. Special attention should be given to components which are most susceptible to wear. Components which are most susceptible to wear are the Running Belt, Running Deck, Rollers, and Side Platforms. Worn or damaged components should be replaced immediately, or the equipment removed from use until the repair is made. Inspect all bolts, nuts and any other securing devices to be sure that they are fully tightened and that the machine is properly assembled and in a safe condition. All warnings and instructions must be read and followed prior to use.

General cleaning will help prolong the life and performance of the treadmill.

- Keep the treadmill clean and maintained by dusting the components on a regular basis.
- Cleaning and maintenance of the treadmill should not be done by anyone under 14 years of age. Keep children under the age of 14 away from this machine.
- Clean the side platforms and the visible portion of the running deck to prevent debris from accumulating underneath the running belt. Debris under the running belt will degrade the performance and prematurely wear out the running belt and deck.
- Keep your running shoes clean so that debris does not accumulate underneath the running belt.
- Clean the surface of the running belt with a clean damp cloth.
- Regularly inspect the product for loose hardware.
- The moving parts should turn freely and quietly. Abnormal moving parts will affect the safety of the equipment.
- To prolong the treadmill life, it is suggested that the product be powered off for at least 10 minutes for every 2 hours of use.
- Power off the treadmill when not in use.
- It is recommended to place the treadmill on a qualified treadmill mat that is slightly larger than the treadmill base. This will help protect your product from accumulating dust, debris and carpet fibers which can affect the performance and longevity of your treadmill.

**SCAN THE QR CODE ON THE FRONT PAGE TO DOWNLOAD THE SERVICE MANUAL**

## ADJUSTING THE RUNNING BELT

The running belt is properly adjusted at the factory but may loosen or change over time. It is important to properly adjust the running belt so it has the right tension and is centered on the deck, without drifting to one side.

### RUNNING BELT TENSION

To check the running belt tension, pull up on the running belt in the middle of the running surface, and the running belt should lift off the running deck between 2-3 inches. If the running belt is too tight, this will negatively affect the motor's performance and also create more friction between the roller and running belt. When the running belt is too loose, it may not move smoothly with the motor.

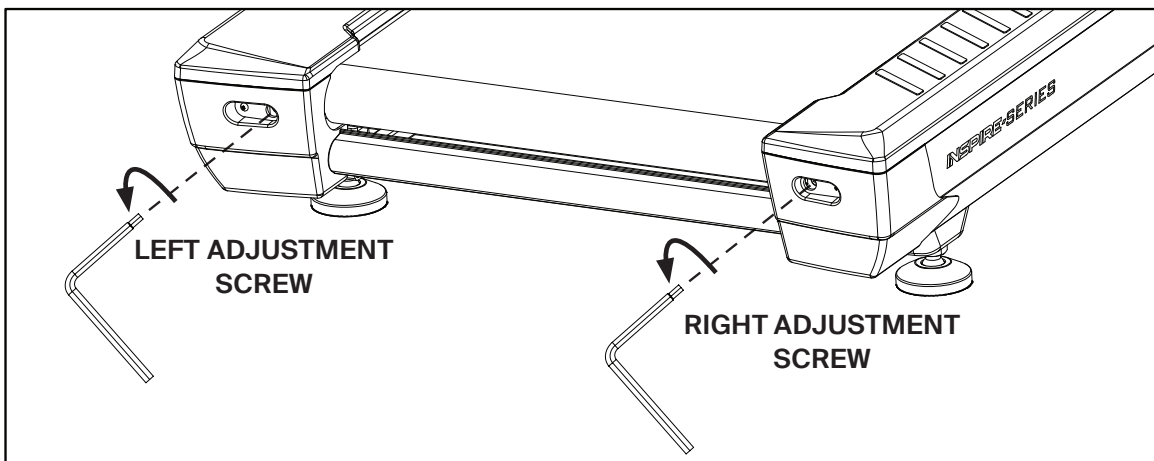
### RUNNING BELT CENTERING

To check the centering of the running belt, set the Incline to 0 and set the Speed to 3.0 mph. Watch the belt to see if it moves all the way to the left or right on the running deck. If properly centered, the belt should be centered on the running deck and the side platforms. If the running belt is not properly centered, this will cause premature running belt failure.

To adjust the running belt tension or centering, use the included Allen wrench and use this table to know which adjustment screw to turn. Repeat the steps given in the table until it is properly adjusted.

BELT ADJUSTMENT	LEFT ADJUSTMENT SCREW	RIGHT ADJUSTMENT SCREW
TOO TIGHT	1 TURN CCW	1 TURN CCW
TOO LOOSE	1 TURN CW	1 TURN CW
SHIFTED TO THE LEFT	1/4 TURN CW	1/4 TURN CCW
SHIFTED TO THE RIGHT	1/4 TURN CCW	1/4 TURN CW

CW =CLOCK-WISE    CCW = COUNTER CLOCK-WISE



## LUBRICATING THE RUNNING BELT

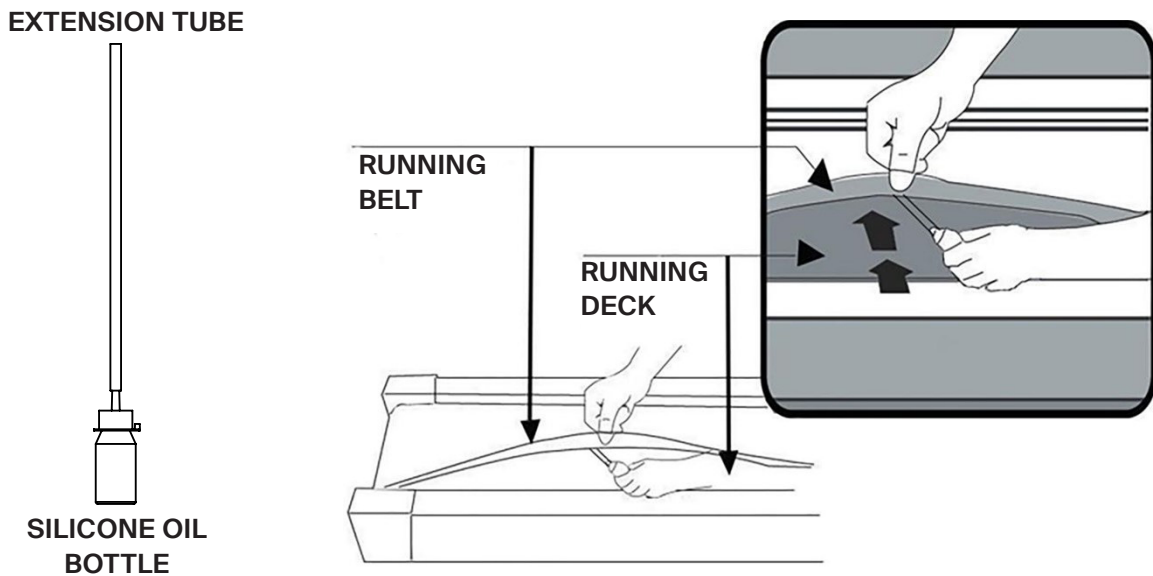
**IMPORTANT NOTE:** The running belt on this treadmill is pre-lubricated and maintenance free for the first 5,592 miles (9,000 km) of use. This distance will vary based on user weight and running patterns. Lubrication between the running deck and belt is essential as the friction between the two affects the life span and function of the treadmill. Therefore, it is suggested the running belt and deck be inspected regularly. Use the Recommended Lubricant Schedule below after 5,592 miles (9,000 km) of use, or earlier if wear is noticed.

### WARNING

Always unplug the treadmill from the electrical outlet before cleaning, lubricating or repairing the unit.

Follow these instructions to lubricate the running belt and deck:

1. Attach the extension tube to the bottle of lubricant. This extension tube allows you to evenly apply lubricant across the entire width of the running belt and deck.
2. Raise the running belt up on one side and evenly apply lubricant across the width of the running deck. Ideally, the lubricant should be applied where the feet contact the deck when running, as this is where it is most needed. Use a rag to thoroughly wipe the lubricant over the running deck. Repeat this process to the other side.



RECOMMENDED LUBRICATION SCHEDULE AFTER 5,592 miles (9,000 km)	
LIGHT USE (LESS THAN 3 HOURS / WEEK)	EVERY 6 MONTHS
MEDIUM USE (3 - 5 HOURS / WEEK)	EVERY 3 MONTHS
HEAVY USE (MORE THAN 5 HOURS / WEEK)	EVERY 2 MONTHS

## TROUBLESHOOTING

When the treadmill electronics detect a problem or a potential problem, the HR window in the center of the console keypad will display one of the Error Codes in the following table.

### WARNING

Always unplug the treadmill from the electrical outlet before cleaning, lubricating or repairing the unit.

<b>ERROR CODE</b>	<b>POSSIBLE SOLUTION(S)</b>
E01H - Low Voltage Disconnect During Operation	<ol style="list-style-type: none"> <li>1. After a power outage, wait 1 minute and then restart the power.</li> <li>2. Check if the power plug, socket, and switch connections are loose.</li> <li>3. Check if the power supply voltage is too low.</li> <li>4. If the issue cannot be resolved, please contact customer service.</li> </ol>
E02H - Temperature Sensor Error	<ol style="list-style-type: none"> <li>1. Turn off the power for 1 minute, then turn it back on and restart the treadmill.</li> <li>2. Check if the NTC plug connection on the inverter is loose.</li> <li>3. If the issue persists, please contact customer support for repair.</li> </ol>
E04H - Output Overcurrent	<ol style="list-style-type: none"> <li>1. Turn off the power for 5 minutes, then turn it back on and restart the treadmill.</li> <li>2. Check if the load is too heavy.</li> <li>3. Check if the running belt needs lubrication, if the running belt is severely worn, or if there are any abnormalities in the transmission mechanism (such as the rollers).</li> <li>4. If the treadmill does not return to normal, please contact customer service.</li> </ol>
E06H - Inverter Overvoltage	<ol style="list-style-type: none"> <li>1. Confirm if the power supply voltage is normal.</li> <li>2. Turn off the power for 1 minute, then turn it back on and restart. If the treadmill does not return to normal, please contact customer service.</li> </ol>
E08H - Ground Fault	<ol style="list-style-type: none"> <li>1. Turn off the power for 1 minute, then turn it back on and restart.</li> <li>2. Confirm that the motor and motor wires are properly insulated.</li> <li>3. Ensure the load is within the design range. Check if the running belt needs lubrication, if the running belt is severely worn, or if there are any abnormalities in the transmission mechanism (such as the rollers).</li> <li>4. If the issue persists, please contact customer service.</li> </ol>
E09H - Inverter Overheating	<ol style="list-style-type: none"> <li>1. Improve ventilation in the equipment space and clean the heat sink of the inverter.</li> <li>2. Return to the factory to replace the cooling fan of the inverter (the fan starts when the inverter reaches 50 degrees Celsius).</li> <li>3. If the issue persists, please contact customer service.</li> </ol>

## WARNING

Always unplug the treadmill from the electrical outlet before cleaning, lubricating or repairing the unit.

ERROR CODE	POSSIBLE SOLUTION(S)
E0AH - Motor Overload	<ol style="list-style-type: none"> <li>1. Confirm if the load is too heavy.</li> <li>2. Check if the running belt needs lubrication, if the running belt is severely worn and needs replacement, or if there are any abnormalities in the transmission mechanism (such as the rollers).</li> </ol>
E0BH - Inverter Overload	<ol style="list-style-type: none"> <li>1. Confirm if the load is too heavy.</li> <li>2. Check if the running belt needs lubrication, if the running belt is severely worn and needs replacement, or if there are any abnormalities in the transmission mechanism (such as the rollers).</li> </ol>
E0CH - System Overload	This function is disabled by default (F-040 = 0).
E0DH - Motor Disconnection Detected	Check if the connection wires and connectors between the motor and the inverter are loose, and ensure the motor is connected.
E0EH - Inverter Brake Chip Overload	Turn off the power for 2 minutes, then restore power. If the treadmill still does not start, please replace the inverter.
E21H - Flash Program Fault	Turn off the power for 2 minutes, then restore power. If the treadmill still does not start, please replace the inverter.
E22H - Lower Control EEPROM Fault	Turn off the power for 2 minutes, then restore power. If the treadmill still does not start, please replace the inverter.
E23H - Low Voltage Display	<ol style="list-style-type: none"> <li>1. Confirm if the input power supply voltage of the inverter is normal.</li> <li>2. Check if the connection between the power socket and plug is loose.</li> </ol>
E25H - Emergency Stop	Check if the 2-pin wires at both ends of the bottom console and the controller are properly connected.
E26H - Driver Setting Error	Turn off the power, then turn it back on and reset the settings.
E27H - Input Low Voltage	Confirm if the input power supply voltage of the inverter is normal.
E28H - Input High Voltage	Confirm if the input power supply voltage of the inverter is normal.
E29H - High Temperature Display	This function is disabled by default (F-070 = 0).
E5 - Elevation Adjustment Fault	<ol style="list-style-type: none"> <li>1. Check if the VR (voltage regulator) wire for the lifting mechanism is properly connected. Reconnect and adjust if necessary.</li> <li>2. Lightly touch the lifting motor to see if it is hot. If it is too hot to touch, avoid adjusting the lifting mechanism or turn off the power for about 5 minutes. Wait until the lifting motor returns to normal temperature before turning the power back on.</li> </ol>
CALIBRATION FAILURE - Elevation Learning Fault	<ol style="list-style-type: none"> <li>1. Check if the VR (voltage regulator) wire for the lifting mechanism is properly connected.</li> <li>2. Reconnect it properly, then recalibrate (contact customer service).</li> </ol>

**WARNING**

Always unplug the treadmill from the electrical outlet before cleaning, lubricating or repairing the unit.

<b>ERROR CODE</b>	<b>POSSIBLE SOLUTION(S)</b>
EMERGENCY STOP - Safety Switch Error	<ol style="list-style-type: none"> <li>1. Check if the safety switch button operates smoothly and freely.</li> <li>2. Check if the connection wires and plugs for the safety switch are loose or disconnected.</li> <li>3. Check if the safety switch board is damaged.</li> <li>4. Check if the LED panel board is damaged.</li> <li>5. Check if the connection wire from the LED panel board to the inverter is loose.</li> </ol>
CONNECTION ERROR - Top and Bottom Consoles Connection Error	<ol style="list-style-type: none"> <li>1. Check if the wires between the top console and bottom LED console are loose or disconnected.</li> <li>2. Check if the contact between the bottom LED console and the wiring at the lower end is good.</li> <li>3. Check if the top or the bottom console is damaged.</li> <li>4. Turn off the power for 2 minutes, then restore power.</li> </ol>
E50H - Bottom Console and Controller Connection Error	<ol style="list-style-type: none"> <li>1. Check if the wires between the lower-level controller and the main controller are loose or disconnected.</li> <li>2. Check if the main controller is damaged.</li> </ol>





**CENTR**